



Installation instructions | for electricians
sonnenBatterie 10 performance

EN

IMPORTANT

- ▶ This entire document must be read carefully.
- ▶ This document must be kept for reference purposes.

Publisher

sonnen GmbH

Am Riedbach 1

D-87499 Wildpoldsried

Service number

+49 8304 92933 444

Email

info@sonnen.de

Document

Document number / Version

638 / 04

Part number / Revision

1000982 / 04

Valid for

DE, AT, CH, SE

Publication date

10/11/2021

The latest version can be accessed at

<https://documents.sonnen.de/s/manual-sB10p-en>

18014398703737867

Table of contents

1 Information about this document	6
1.1 Target group of this document	6
1.2 Designations in this document	6
1.3 Explanation of symbols.....	6
2 Safety	7
2.1 Proper use.....	7
2.2 Intended use of the sonnenProtect.....	8
2.3 Qualified electricians.....	9
2.4 Handling battery modules	9
2.5 Conduct in the event of a fault or fire.....	9
2.6 Symbols on the product.....	10
3 Storage and transport	12
3.1 Storage.....	12
3.1.1 Ensuring correct ambient conditions during storage	12
3.1.2 Storing the battery modules	12
3.2 Transport	12
3.2.1 Ensuring correct ambient conditions during transport.....	12
3.2.2 Transporting battery modules	12
3.2.3 Checking for transport damage.....	13
3.2.4 Transport to the installation location	14
3.2.5 Acclimating the power module before installation.....	14
4 Product description	15
4.1 System components.....	15
4.2 Scope of delivery.....	16
4.2.1 Content of the installation equipment pack.....	19
4.3 Type plate	19
4.4 Optional accessories	19
4.5 Additional parts and tools required.....	20
5 Installing the storage system	22
5.1 Selecting the installation location.....	22
5.1.1 Observing minimum distances	22
5.1.2 Planning line entry.....	23
5.2 Securing the mounting frame.....	24
5.2.1 Selecting the mounting materials.....	24
5.2.2 Installing the feet.....	25
5.2.3 Drilling the holes.....	25
5.2.4 Securing the mounting frame to the wall.....	25
5.2.5 Straightening and levelling the mounting frame.....	25
5.2.6 Sealing the openings	26
5.2.7 Completing the mounting frame.....	27
5.3 Routing lines into the system	27
5.4 Installing the power module	28

6	Connecting the storage system	30
6.1	Electrical connection overview	31
6.2	Placing components in the distributor	33
6.3	Wiring the components and storage system	33
6.4	Installing the power meter	34
6.4.1	Connecting the power meter	34
6.4.2	Connecting the Modbus line	36
6.5	Establishing an internet connection	37
6.6	Connecting the mains line	38
6.7	Installing the battery modules	39
6.7.1	Measuring the battery module voltage	39
6.7.2	Mounting the battery modules	39
6.7.3	Connecting the battery modules	42
6.7.4	Subsequent extension of storage capacity	45
7	Installing the extension cabinet (optional)	46
7.1	Mounting the extension cabinet	46
7.1.1	Selecting the installation location	46
7.1.2	Installing the mounting frame	47
7.1.3	Line entry point	47
7.1.4	Mounting the battery coupling	48
7.2	Connecting the extension cabinet	49
7.2.1	Positioning the battery modules	49
7.2.2	Connecting the BMS communication lines	50
7.2.3	Connecting the battery lines	50
7.3	Completing the extension cabinet installation	51
8	Using digital inputs/outputs (optional)	53
8.1	Overview of digital inputs and outputs	53
8.2	Connecting digital inputs/outputs	55
8.2.1	Implementing PV reduction	55
8.2.2	Using electrical consumers for self-consumption optimisation	57
8.2.3	Using additional external electrical generators	58
8.2.4	Recording constant power of an electrical generator	59
8.2.5	Recording fluctuating power of an electrical generator	60
8.2.6	Implementing rapid shutdown	62
9	sonnenProtect 8000 (optional)	63
9.1	System components of the sonnenProtect	64
9.2	Illuminated switch function	64
9.3	Type plate	65
9.4	Additional parts required	65
9.5	Installing the sonnenProtect	66
9.6	Connecting the sonnenProtect	68
9.6.1	Electrical consumers in backup operation	69
9.6.2	Implementing the backup circuit(s)	70
9.6.3	Positioning components in the electrical distributor	71
9.6.4	Wiring the sonnenProtect	71
9.6.5	Attaching safety label to the distributor	76

9.6.6	Attaching type label to storage system.....	76
9.7	Commissioning the sonnenProtect	77
9.7.1	Setting the backup buffer	77
9.7.2	Testing backup/standalone operation.....	78
9.8	Decommissioning the sonnenProtect	78
9.9	Connecting AC microgrid (optional).....	79
9.9.1	PV system as an electrical generator	79
9.9.2	Wiring an AC microgrid	83
9.9.3	Setting up an AC microgrid	86
9.9.4	Testing standalone operation.....	86
10	Completing installation	87
10.1	Filling out the type plate	87
10.2	Attaching and earthing the cover.....	87
10.3	Attaching the switch cover	88
10.4	Checking the installation.....	88
11	Commissioning	90
11.1	Switching the storage system on.....	90
11.2	Carrying out first-time commissioning.....	90
11.2.1	Commissioning assistant.....	90
11.2.2	Completing the commissioning report (if there is no internet connection)	91
12	Decommissioning	93
12.1	Switching the storage system off	93
12.2	Switching the storage system off to electrically isolate it.....	94
13	Uninstallation and disposal	95
13.1	Uninstallation.....	95
13.2	Disposal	95
14	Troubleshooting	96
14.1	sonnenBatterie 10 performance	96
14.2	sonnenProtect 8000 (optional)	97
15	Technical data	99
15.1	sonnenBatterie 10 performance.....	99
15.2	sonnenProtect 8000 (optional)	101
16	Commissioning report (optional)	102
	Glossary	103

1 Information about this document

This document describes the installation of the sonnenBatterie 10 performance.

- ▶ Make sure you read this entire document carefully.
- ▶ Keep this document for reference purposes.

1.1 Target group of this document

This document is intended for authorised electricians. The actions described here must only be performed by authorised electricians.

1.2 Designations in this document

The following designations are used in this document:

Complete designation	Designation in this document
sonnenBatterie 10 performance	Storage system
sonnenProtect 8000	sonnenProtect
sonnenModule 4	Battery module
Authorised electrician	Electrician performing the installation/Installer
Person who purchased the storage system and on whose premises the system is installed	Operator

1.3 Explanation of symbols



DANGER

Extremely dangerous situation leading to certain death or serious injury if the safety information is not observed.



WARNING

Dangerous situation leading to potential death or serious injury if the safety information is not observed.



CAUTION

Dangerous situation leading to potential injury if the safety information is not observed.

NOTICE

Indicates actions that may cause material damage.



Important information not associated with any risks to people or property.

Symbol	Meaning
▶	Work step
1. 2. 3. ...	Work steps in a defined order
✓	Condition
•	List

Table 1: Additional symbols

2 Safety

2.1 Proper use

The sonnenBatterie 10 performance is a battery storage system which can be used to store electrical energy. Improper use poses a risk of death or injury to the user or third parties as well as damage to the product and other items of value.

The following points must be observed at all times in order to ensure **proper use**:

- The transport and storage conditions must be observed.
- The storage system must only be used at a suitable installation location.
- The storage system must be fully installed in accordance with the installation instructions.
- The storage system must be installed by an authorised electrician. Country-specific regulations concerning electrical installations must be observed at all times.
- The interfaces of the storage system must be connected in accordance with the product documentation.
- Only use the storage system in its original state - without any unauthorised modifications - and when it is in proper working order.
- Repairs to the storage system must be carried out by authorised service technicians only.

Especially the following uses are not permissible:

- Operation in flammable environments or areas at risk of explosion.
- Operation in locations at risk of flooding.
- Outdoor operation.
- Operation of the battery modules outside of its storage system.
- Bypassing, blocking or tampering with protective devices.

Danger due to electrical voltage

The storage system contains live electrical parts, which poses a risk of electrical shock.

The storage system inverter also contains components with internal stored energy, which carry voltage even after the storage system is switched off.

Therefore:

- ▶ Disconnect the storage system from the power supply before any work on the system is started (see Switching the storage system off to electrically isolate it [P. 94]).



Operating the storage system

- The storage system may only be operated as described in the product documentation.
- This device can be used by children from the age of eight (8) years old and individuals with impaired physical, sensory or mental capabilities or individuals with limited knowledge and/or experience of working with the device, as long as they are supervised or have been trained to safely use the device and understand the resulting risks of doing so. Children must not play with the device.



Failure to comply with the conditions of the warranty and the information specified in this document invalidates any warranty claims.

2.2 Intended use of the sonnenProtect

The sonnenProtect 8000 is an backup power unit designed to supplement the sonnenBatterie 10 performance. The sonnenProtect - in conjunction with the appropriate storage system of the sonnen GmbH - serves to supply power in the event of a power failure.

Improper use poses a risk of death or injury to the user or third parties as well as damage to the product and other items of value.

The following points must be observed at all times in order to ensure **proper use**:

- Only operate the sonnenProtect together with the right storage system.
- The sonnenProtect must be installed by an authorised electrician.
- The sonnenProtect must only be used in its original state without any user modifications and only when in perfect working order.
- The sonnenProtect must only be connected to the storage system as described here.
- The sonnenProtect must not be used long-term without connection to the public electricity grid.
- The interfaces of the sonnenProtect and the storage system must be connected in accordance with the product documentation.
- The sonnenProtect must only be installed and used at suitable installation location.
- The transport and storage conditions must be observed.
- All repairs on the sonnenProtect must be performed by authorised service technicians only.

Especially the following uses are not permissible:

- Operation in flammable environments or areas at risk of explosion.
- Operation in locations at risk of flooding.
- Bypassing, blocking or tampering with protective devices.

Danger due to electrical voltage inside the sonnenProtect



The sonnenProtect contains live electrical parts, which poses a risk of electrical shock. The storage system inverter also contains capacitors which carry voltage even after the storage system is switched off. As the sonnenProtect is connected to the inverter of the storage system, this means that the voltage from the inverter also flows into the sonnenProtect.

Therefore:

- ▶ Disconnect the sonnenProtect and the storage system from the power (see Decommissioning the sonnenProtect [P. 78]).

Only then can the sonnenProtect be opened.

Operating the sonnenProtect

- The sonnenProtect must only be operated as described in the product documentation.
- This device can be used by children from the age of eight (8) years old and individuals with impaired physical, sensory or mental capabilities or individuals with limited knowledge and/or experience of working with the device, as long as they are supervised or have been trained to safely use the device and understand the resulting risks of doing so. Children must not play with the device.

2.3 Qualified electricians

The storage system must be installed and commissioned by authorised electricians only. Installation by unqualified and/or unauthorised persons may cause injury and/or component damage.

People who meet the following requirements are generally considered authorised electricians:

- The electrician must be a person with a technical knowledge or sufficient experience to enable him/her to avoid dangers which electricity may create.
- The electrician has successfully completed the sonnen certification training.

2.4 Handling battery modules



The battery modules compatible with the storage system are protected by multiple protective devices and are safe when used properly. Improper use or a fault may cause the battery cells inside the battery modules to be damaged.



This can have the following effects:

- High heat generation on the surface of the battery cells.
- Leaking of electrolyte, vapours and/or smoke.
- The escaping electrolyte may ignite and cause an explosive flame.
- Irritation to skin, eyes and mucous membranes due to steam or smoke from burning battery modules.

In order to ensure **proper use**:

- ▶ Do not open the battery modules.
- ▶ Do not inflict mechanical damage (pierce, deform, disassemble, etc.) on the battery modules or otherwise modify them.
- ▶ Do not heat the battery modules. Keep them away from sources of ignition and operate them only within the permissible temperature range.
- ▶ Do not allow the battery modules to come into contact with water (except to extinguish a fire involving the storage system).
- ▶ Do not short-circuit the battery modules.
- ▶ Never continue to use the battery modules if they are damaged in any way.
- ▶ Do not deep-discharge the battery modules or charge them using external chargers.
- ▶ Do not operate battery modules outside of the storage system.
- ▶ Remove metal jewellery when handling battery modules.
- ▶ Do not place any tools or metal objects on the battery modules.

Transporting battery modules

The battery modules contain lithium-ion batteries. These are classed as hazardous goods and must be transported in compliance with certain regulations.

- ▶ Observe the information in section Transporting battery modules [P. 12] at all times.

2.5 Conduct in the event of a fault or fire

If contents are escaping:

1. Leave or do not enter the room in which the storage system and battery modules are located.

2. Avoid contact with the escaping electrolyte. If contact occurs, rinse the affected area thoroughly with water. In the case of irritation of the skin, eyes or mucous membranes, consult a doctor.
3. Contact the sonnen service team (+49 8304 92933 444).

A fire may occur even with electrical devices that are designed with care. A nearby fire can also cause the storage system to ignite. This may also lead to the contents of the battery modules being released.

If the battery modules or storage system is on fire:

1. Leave or do not enter the room in which the storage system and battery modules are located.
2. Avoid contact with escaping smoke or steam. If contact occurs, rinse the affected area thoroughly with water. In the case of irritation of the skin, eyes or mucous membranes, consult a doctor.
3. Contact the fire services.
4. Contact the sonnen service team (+49 8304 92933 444).

There is a danger of electrocution when extinguishing a fire while the storage system is switched on. In the event of a fire in the vicinity of the product or in the storage system itself, proceed as follows before beginning any extinguishing measures:

- ▶ Switching the storage system off to electrically isolate it [P. 94]. The battery modules will continue to carry voltage.
- ▶ Switch off the mains fuses in the building.
- ▶ Only firefighters with appropriate personal protective equipment are permitted to enter the room where the storage system is located.

If the storage system or mains fuses cannot be safely switched off:

- ▶ Observe the minimum distances applicable for the specific extinguishing means used. The storage system works with a nominal voltage of 400 V (AC) and 204.8 V (DC).

Extinguishing agents

- A storage system fire can be extinguished using conventional extinguishing agents.
- Water is recommended as an extinguishing agent in order to cool the battery modules and therefore prevent thermal runaway in battery modules which are still intact.

Information on the battery modules

- A single battery module has a nominal voltage of 102.4 V (DC).
- Two battery modules each are connected in series, resulting in a working voltage of 204.8 V (DC).
- The battery modules do not contain metallic lithium.

2.6 Symbols on the product



Warning: electrical voltage. Wait ten minutes after switching off (capacitor de-energising time).



Warning: flammable materials.



Warning: hazards due to batteries.



Warning: product is heavy.



CE mark. The product meets the requirements of the applicable EU directives.



WEEE mark. The product must not be disposed of in household waste; dispose of it through environmentally friendly collection centres.



Observe the documentation. The documentation contains safety information.



Protective earthing. Labelling earthing points.

3 Storage and transport

3.1 Storage

Storage describes the condition when the storage system is not connected to the public electricity grid and the battery modules cannot be automatically charged.

3.1.1 Ensuring correct ambient conditions during storage

- ▶ Make sure during storage that the required ambient conditions (see Technical data [P. 99]) are met.

3.1.2 Storing the battery modules

NOTICE

Deep-discharge of the battery modules

Destruction of the battery modules!

- ▶ Do not disconnect the storage system from the public electricity grid for long periods of time.
- ▶ Never continue to operate battery modules which have been deep-discharged.

During storage the battery modules automatically discharge at a minimal level. Battery modules are only permitted to be stored for a limited amount of time, as a deep discharge of the batteries may lead to damage to or destruction of the battery modules.

Observe the following points:

- Battery modules are delivered with a charging status of **30%**.
- Battery modules are only allowed to be stored for **maximum 6 months**.
- After 6 months at the latest, the battery modules must be installed in a storage system and commissioned.

3.2 Transport

3.2.1 Ensuring correct ambient conditions during transport

- ▶ Make sure during transport that the required ambient conditions (see Technical data [P. 99]) are met.

3.2.2 Transporting battery modules

CAUTION

Improper transport of battery modules

Fire outbreak at battery modules or emission of toxic substances!

- ▶ Only transport battery modules in packaging that meets applicable regulations.
- ▶ Never transport damaged battery modules.

Lithium-ion batteries are hazardous goods. Therefore the following points must be observed when transporting the battery modules:

- ▶ Observe the general transport regulations based on the mode of transport as well as all legal regulations.

- ▶ Consult an external hazardous goods expert.
- ▶ Never transport damaged battery modules. Contact your hazardous goods expert if battery modules are damaged.

Hazardous goods class	UN number	Battery module mass
9	UN 3480 'lithium-ion batteries'	40 kg max.

Table 2: Battery module data relevant for transport

3.2.3 Checking for transport damage

⚠ CAUTION

Insulation fault when storage system is damaged

Danger of electric shock when touching damaged insulation elements!

- ▶ Inspect the storage system for transport damage.
- ▶ Do not use a damaged storage system under any circumstance.

⚠ CAUTION

Fault due to use of damaged battery modules

Fire outbreak at battery modules or emission of toxic substances!

- ▶ Check each battery module for transport damage.
 - ⇒ If damage (deformation, defects, emission of substances and the like) is discovered:
- ▶ Never use damaged battery modules.

- ▶ Check each delivery upon arrival in the presence of the shipping agent for completeness and damage.

Transport indicator on the packaging

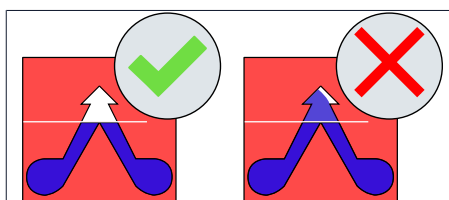


Illustration 1: Transport indicator on the packaging

- ▶ Check the transport indicator in the presence of the shipping agent.

The goods have not been transported properly if blue powder has reached the arrow of the transport indicator.

Reporting transport damage

Report transport damage immediately to the shipping company and to sonnen GmbH.

- ▶ Refuse to accept the delivery if the discovered defects are serious.
- ▶ Document the defect in a brief report and make the notation 'Conditional acceptance' on the delivery note/shipping slip.
- ▶ Have the shipping agent review the report and confirm by countersigning.
- ▶ Make note of the name of the shipping agent and the registration number of the delivery vehicle.
- ▶ Create a detailed defect report if necessary. Send this within the reporting time frame (seven days for freight forwarders; 24 hours for parcel couriers) to the shipping company and sonnen GmbH.



Damage claims cannot be settled if the above mentioned documentation is not submitted within the stated reporting time frames.

3.2.4 Transport to the installation location

WARNING

Risk of injury due to heavy weight of components

Crushing or straining due to incorrect lifting or dropping of components of the storage system!

- ▶ Wear safety shoes when transporting and setting up the system.
- ▶ Use a manual or electric sack truck to move components.
- ▶ Ensure components are stable.

3.2.5 Acclimating the power module before installation

NOTICE

Forming of condensation

Damage to the storage system!

- ▶ Check the inside of the storage system for condensation before installation.
- ▶ Only install the storage system if there is no condensation on the surfaces.

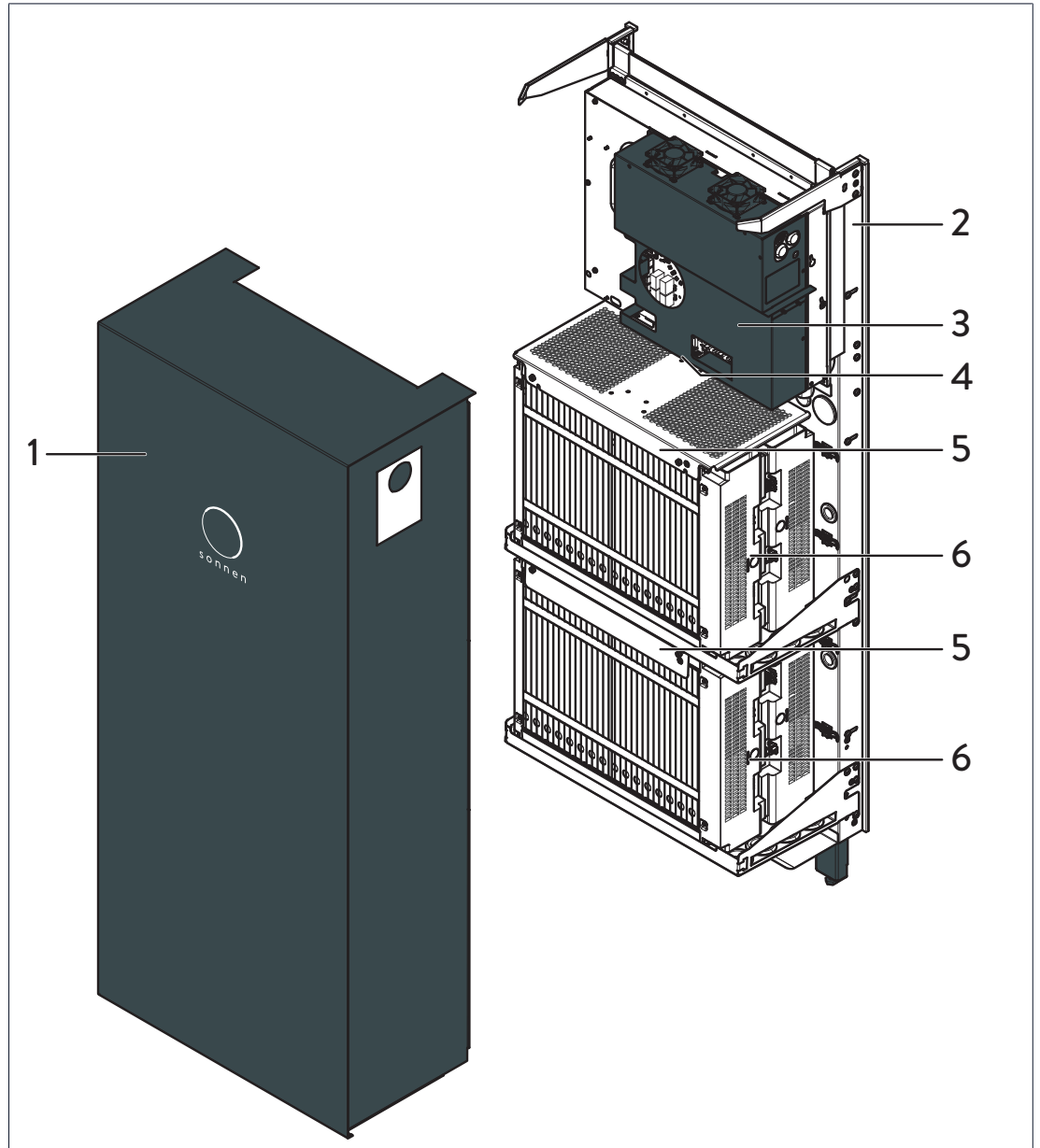
If the temperature of the packed power module upon delivery is significantly lower than the ambient temperature at the place of installation, condensation may form on the surfaces of the electronic components.

- ▶ If the power module was transported at a temperature below 0 °C:
 1. Unpack the power module at a location with suitable ambient conditions (see Technical data [P. 99]).
 2. Let the power module sit until it can be ensured that there is no more condensation on the surfaces. Depending on ambient conditions, this may take up to 24 hours.
 3. Only then can the power module be installed and commissioned.

4 Product description

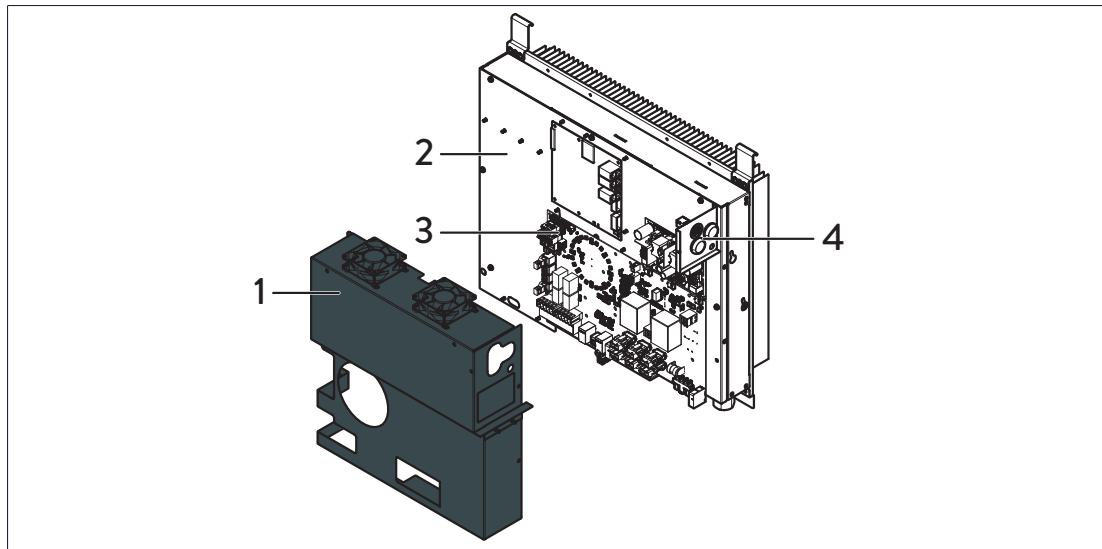
4.1 System components

Overview of storage system



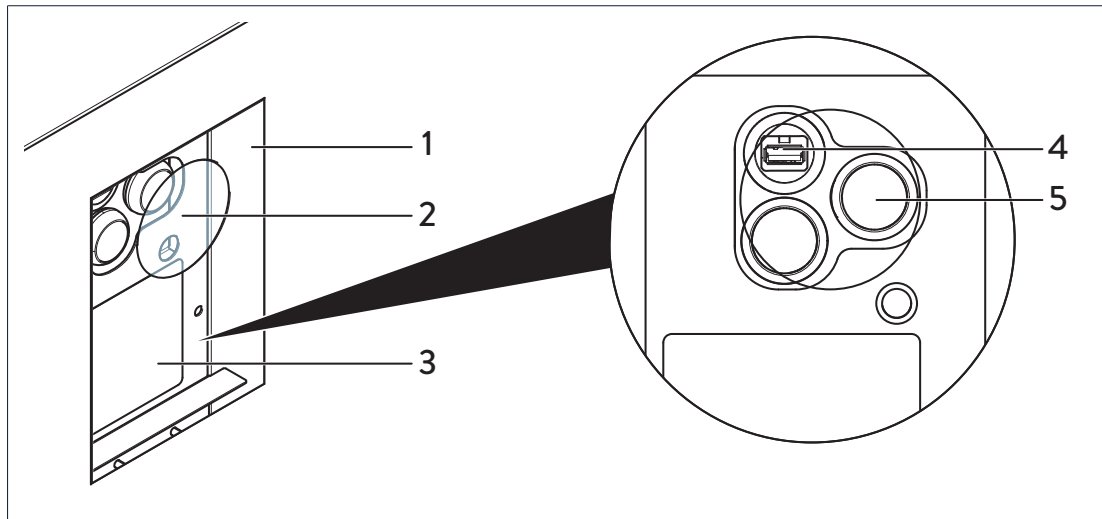
No.	Designation	Function
1	Cover	Cover for the storage system.
2	Mounting frame	Mounting frame with integrated bracket for securing it to the wall and for compensating for uneven surfaces.
3	Power module	Power module with integrated inverter and switch panel.
4	Cable entry point	Sealed entry point for lines to be routed into the storage system from the back.
5	Battery holder	For securing the battery modules.
6	Battery modules	Storage of electrical power.

Overview of power module



No.	Designation	Function
1	Touch protection	Cover for controls and central unit as touch protection.
2	Power module	Modular unit (with integrated inverter) for fastening to the mounting frame.
3	Central unit	Connection for storage system power and data lines.
4	Switch panel	Storage system switch panel protected by switch cover with inspection window.

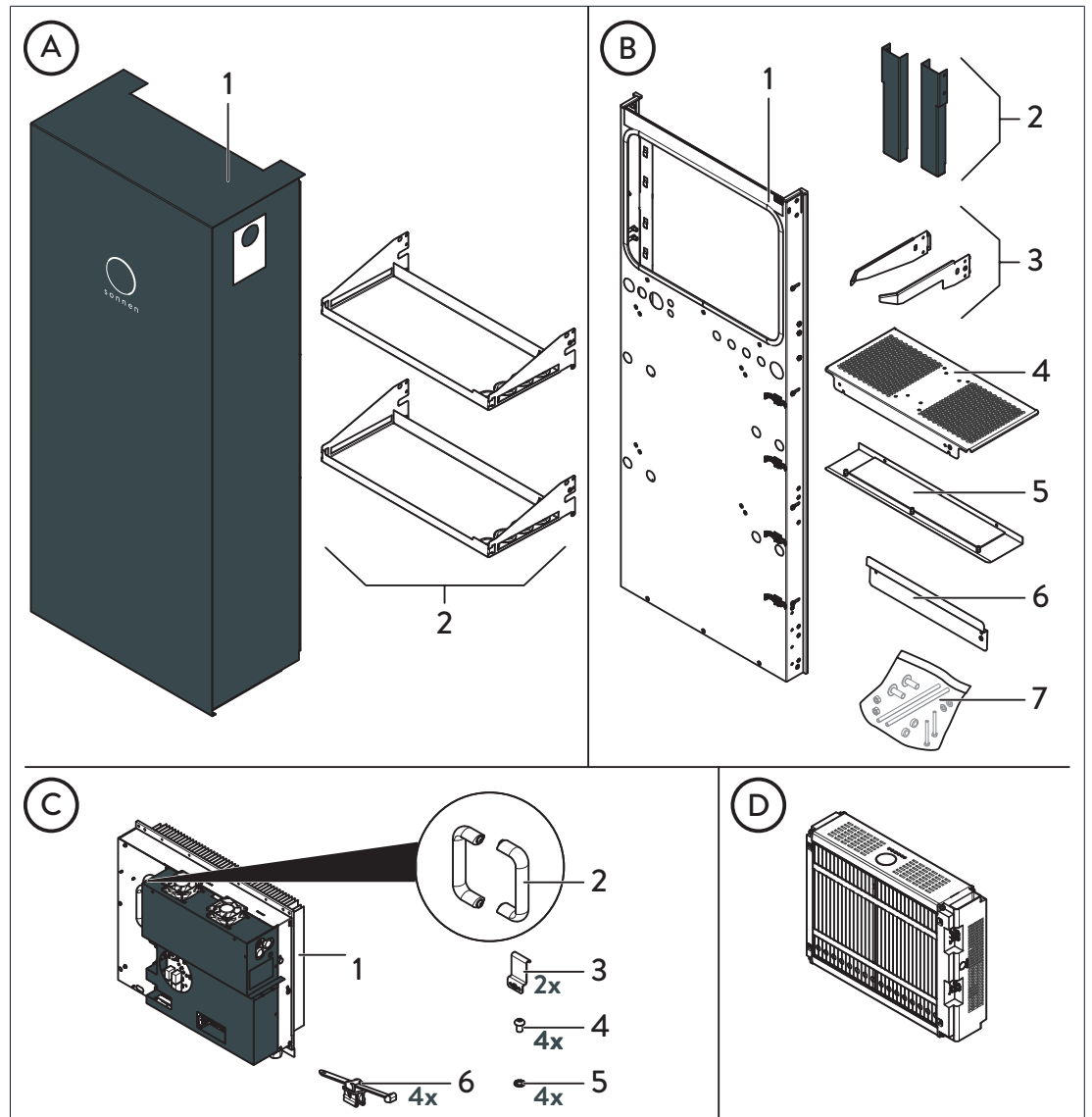
Overview of switch panel



No.	Designation	Function
1	Inspection window	Cover and protection for control elements on the switch panel.
2	Switch cover	Silicone cap that can be removed for operating the storage system.
2	Type plate	Technical data and other information for identifying the storage system.
4	USB socket	Socket for connecting a USB device.
5	ON/OFF switch	Switch for switching the storage system on and off.

4.2 Scope of delivery

- Check the following scope of delivery to ensure it is complete.



* The illustrated battery modules are examples only.

A Housing set

- 1 Cover
- 2 Battery shelves

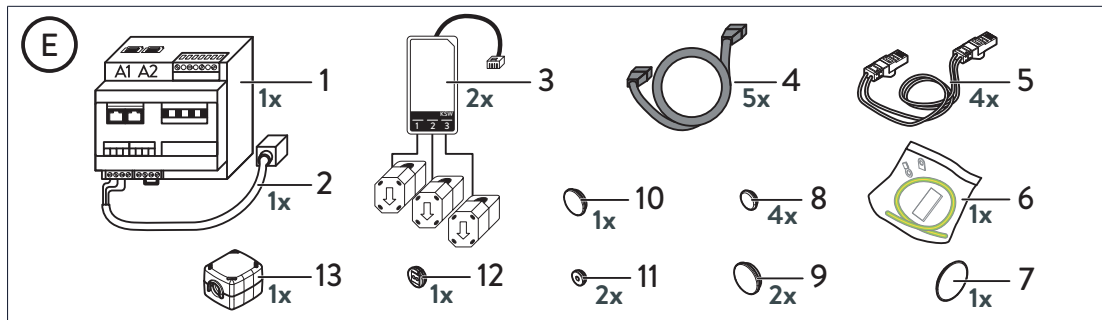
B Mounting frame

- 1 Mounting frame
- 2 Feet
- 3 Supports
- 4 Spacer plate
- 5 Floor plate
- 6 Fixing bracket
- 7 Installation equipment pack (see Content of the installation equipment pack [P. 19])

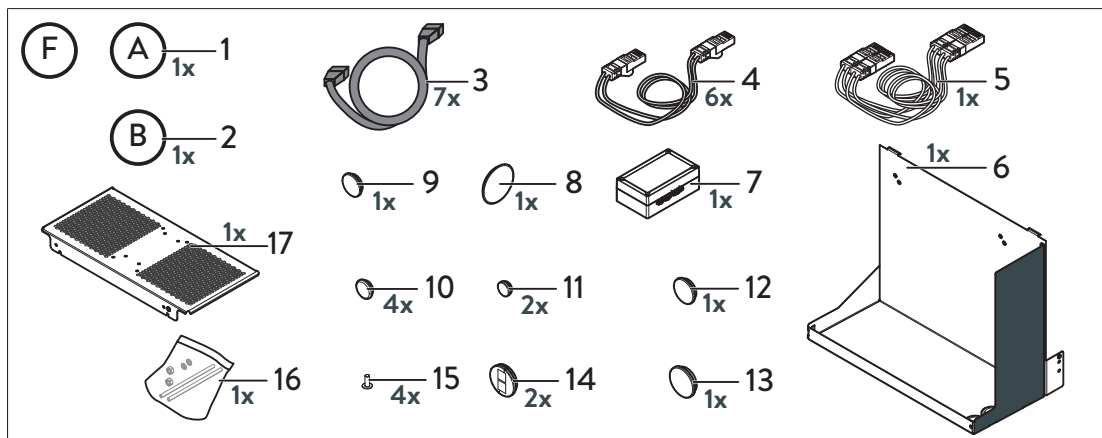
C Power module

- 1 Power module
- 2 Mounting handles for Power module
- 3 Hook
- 4 Screw M6
- 5 Washer M6
- 6 Fixing tie

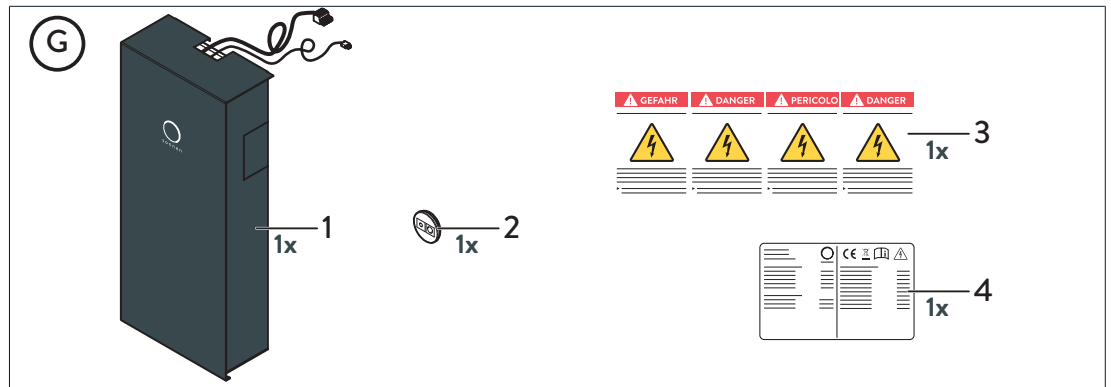
D Battery module (sonnenModule 4)


E Accessory kit

- | | | | |
|----|--------------------------------|----|--------------------------------|
| 1 | WM271 power meter | 2 | Modbus line with RJ45 coupling |
| 3 | Transformer interface with CT | 4 | BMS communication line (grey) |
| 5 | Battery line (black) | 6 | Earthing kit |
| 7 | Switch cover | 8 | Dummy plugs (Ø 27.8 mm) |
| 9 | Dummy plugs (Ø 50 mm) | 10 | Dummy plug (Ø 40 mm) |
| 11 | Cable entry plates (Ø 20.5 mm) | 12 | Cable entry plate (Ø 32 mm) |
| 13 | Snap Ferrite | | |


F Extension set (optional)

- | | | | |
|----|-------------------------------|----|--------------------------------------|
| 1 | Housing set | 2 | Mounting frame |
| 3 | BMS communication line (grey) | 4 | Battery line (black) |
| 5 | Double battery line | 6 | Battery shelf |
| 7 | Battery coupling | 8 | Switch cover |
| 9 | Dummy plug (Ø 32 mm) | 10 | Dummy plugs (Ø 27.8 mm) |
| 11 | Dummy plugs (Ø 20,5 mm) | 12 | Dummy plug (Ø 40 mm) |
| 13 | Dummy plug (Ø 50 mm) | 14 | Cable entry plates (Ø 50 mm) |
| 15 | Screws, thread-forming, 50x16 | 16 | Battery screws M6x286 and washers M6 |
| 17 | Spacer plate | | |



G sonnenProtect 8000 (optional)

- | | | | |
|---|---|---|-------------------------------|
| 1 | sonnenProtect incl. connection lines (each about 5 m) | 2 | Cable entry plate (Ø 50) |
| 3 | Safety label | 4 | Type plate sonnenProtect 8000 |

4.2.1 Content of the installation equipment pack

The installation equipment pack is part of the **B Mounting frame** scope of delivery and contains the following:

- | | |
|--|---------------------------------|
| 29 x Hexagon socket screw M6x16 ISO 7380 | 4 x Battery screws M6x286 |
| 18 x Contact disc M6 | 4 x Washer (plastic) M6 DIN 125 |
| 8 x Dummy plug Ø 32 mm | 2 x Levelling element M8x50 |
| 6 x Hexagon nut M6 DIN 934 | |

4.3 Type plate

The type plate for the storage system is located on the Power module and can be viewed from the outside through the inspection window. The type plate can be used to uniquely identify the Power module and thus the storage system. You need the information on the type plate for safe use and to obtain assistance from sonnen service if you have any questions.

The information on the type plate is required for safe use and for service matters.

The following information is specified on the type plate:

- Item designation
- Item number
- Technical data of the storage system
- Initial password

The battery capacity and the nominal power of the storage system differ depending on the number of battery modules installed. For this reason the installed battery capacity must be ticked on the type plate by the electrician installing the system (see Filling out the type plate [P. 87]).

4.4 Optional accessories

The following optional accessories can be added to the storage system in order to extend its functionality:

Designation	Description	Item number
Accessories for extending the sonnenBatterie 10 performance		
Extension set	Second mounting frame with cover. For installing up to six additional battery modules (see Installing the extension cabinet [P. 46]).	4000110 + 3000159

sonnenProtect 8000	Backup box for power supply to defined backup circuits in the event that the public electricity grid fails (see sonnenProtect 8000 [P. 63]).	3000161
Power meter WM271 and clamp-on current transformers	For integration of further measurement points in the power measurement (e.g. additional electrical generator for AC microgrid [P. 79]).	30459 + 21028
Clamp-on current transformer up to 400 A	For measuring and recording amperages higher than 60 A. Available for maximum amperages up to 100 A, 200 A or 400 A.	11215, 11216, 11659

Additional sonnen products for extending storage system functionality

sonnenCharger	Charging station for electric vehicles for intelligent control by the storage system.	Different versions available
sonnenKNX modules	Mounting rail modules for integration of the storage system in a KNX infrastructure.	4000050

4.5 Additional parts and tools required

The following materials and tools must be provided. With these materials and tools, and the materials included in the scope of delivery, the storage system can be fully installed and connected.

Lines, circuit breakers	Designation	Use	Specification
	Plastic-sheathed cable	AC connection	<ul style="list-style-type: none"> Type: NYM-J 5x2.5 mm², NYM-J 5x4 mm² or NYM-J 5x6 mm² Selection of the type depending on the conditions on site. Length adapted to installation situation.
RJ45 line	Data transfer between router and storage system	<ul style="list-style-type: none"> RJ45 connector, category Cat 6, shielded. Cable diameter: 6 mm Length adapted to installation situation. 	
RJ45 line	Data transfer between power meter and storage system	<ul style="list-style-type: none"> RJ45 connector, category Cat 6, shielded. Cable diameter: 6 mm Length adapted to installation situation. 	
Signal lines	Digital inputs/outputs	<ul style="list-style-type: none"> Type: LiYY Line cross-section of single conductors: 0.25–0.75 mm² Number of single conductors adapted to installation situation. <p><i>Other required components (terminals, contactors, relays, etc.) must be acquired as needed for the individual installation situation (see Digital inputs and outputs [P. 53]).</i></p>	
Residual current device (RCD)	Personal protection	<ul style="list-style-type: none"> Required in networks with TT earthing. For specification see section Placing components in the distributor [P. 33]. 	
Miniature circuit breaker (MCB)	Fault protection for storage system	<ul style="list-style-type: none"> Tripping characteristic: B Rated current: 16 A 	

- | | | |
|--|----------------------------------|---|
| <i>Miniature circuit breaker (MCB)</i> | Fault protection for power meter | <ul style="list-style-type: none"> • If fuse protection is not already possible using existing circuit breakers. • Tripping characteristic: B • Rated current: 6 A |
|--|----------------------------------|---|

Material	Quantity	Designation	Use
	8 /16*	Screws	<ul style="list-style-type: none"> • For securing the mounting frame to the wall. For specification see section mounting materials [P. 24].
	8 /16*	Washers	<ul style="list-style-type: none"> • For establishing contact between the screws and mounting frame.
	8 /16*	Wall plugs	<ul style="list-style-type: none"> • For anchoring the screws to the wall. Type and length adapted to suit the screws used.
	1	Laptop with LAN connection	<ul style="list-style-type: none"> • For establishing a connection to the storage system. • For running the commissioning assistant.
	1	Permanent marker	<ul style="list-style-type: none"> • For filling out the type plate.
	1	Touch display for power meter WM271	<ul style="list-style-type: none"> • If necessary: for configuring the power meter.

*When mounting with extension cabinet.



The list of tools refers to the materials contained in the scope of delivery for the storage system. Other individual tools are required based on the type of building installation and the additional parts selected.

Tool	Designation	Use
	Drill	<ul style="list-style-type: none"> • For drilling holes for securing the mounting frame.
	Utility knife	<ul style="list-style-type: none"> • For opening packaging.
	Hexagonal torque screwdriver AF 3, AF 4 (adjustable to 8 Nm)	<ul style="list-style-type: none"> • For securing feet to the mounting frame. • For completing the mounting frame. • For securing the power module to the mounting frame. • For securing the cover.
	Torque spanner AF 10 (adjustable to 4 Nm)	<ul style="list-style-type: none"> • For securing the battery modules.
	Allen key AF 4	<ul style="list-style-type: none"> • For straightening and levelling the mounting frame.
	Torx screwdriver TX 25	<ul style="list-style-type: none"> • If necessary: Mount the battery coupling in the extension cabinet.
	Cross-slot screwdriver PZ 2	<ul style="list-style-type: none"> • For opening and closing screw-type terminals on circuit breakers.
	Multimeter	<ul style="list-style-type: none"> • For measuring the battery module voltages.
	Flat-head screwdriver max. 5.5 mm	<ul style="list-style-type: none"> • If necessary: for removing the cover of the power meter.
	Sack truck	<ul style="list-style-type: none"> • For transporting components to the installation location.
	Wire cutters	<ul style="list-style-type: none"> • For cutting electrical lines or wires.
	Spirit level	<ul style="list-style-type: none"> • For straightening and levelling the mounting frame.

5 Installing the storage system

- The storage system is installed with the accompanying feet so that while it is secured to the wall, part of the load is still supported by the feet.

Level	Total height of storage system
Lowest	172 cm
Middle	178 cm
Highest	184 cm

Table 3: Height of the storage system depending on the mounting of the feet

5.1 Selecting the installation location

NOTICE

Failure to observe ambient conditions

Damage to the electronic components of the storage system!

- ▶ Observe the required ambient conditions when selecting the installation location (see Technical data [P. 100]).

NOTICE

Insufficient load-bearing capacity of wall for mounting

Damage to storage system and surrounding area!

The wall mounting selected for the installation of a storage system must be able to support a total weight of 960 kg.

- ▶ Ensure that the mounting material and the wall have the required load-bearing capacity.
- ▶ Use all of the mounting points on the mounting frame of the storage system.

5.1.1 Observing minimum distances

- ▶ Observe the specified minimum distances to neighbouring objects, walls and ceilings.

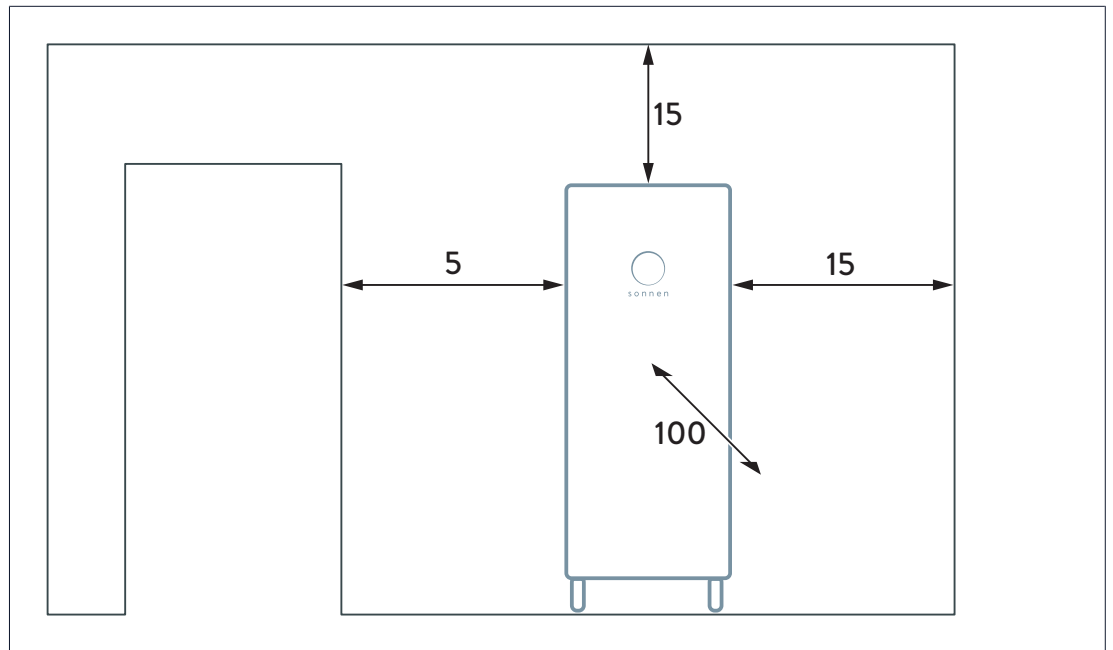


Illustration 2: Minimum distances around the storage system (figure not true to scale – all measurements in centimetres)

The minimum distances ensure that the following conditions are met:

- Sufficient heat dissipation.
- Easy opening of the storage system.
- Sufficient space for installation and maintenance work.

5.1.2 Planning line entry

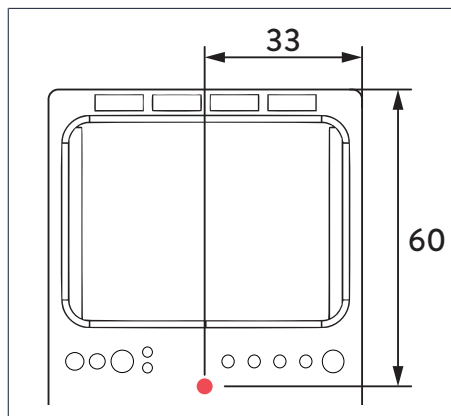


Illustration 3: Position for optimal line entry (figure not true to scale – all measurements in centimetres)

sonnen recommends routing the lines for the storage systems out of one opening in the wall directly behind the storage system.

The position of the optimal origin of the lines is shown in the figure here.

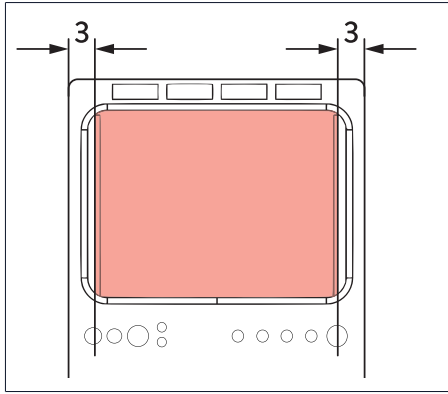


Illustration 4: Area to be cut out for line routing (figure not true to scale – all measurements in centimetres)

Alternatively, the lines can be routed from below or above behind the mounting frame of the storage system.

- ▶ Ensure that no lines are in the area marked in red in the figure. These may otherwise be damaged by the inverter heat sink.

Tips for line routing from above

- Route the lines through a cable duct up to approx. 10 cm above the storage system.
- Route the right and left lines past the heat sink of the inverter behind the mounting frame.
- Secure the lines to the back of the mounting frame using cable ties.

Tips for line routing from below

- Route the lines through a cable duct to the right of the storage system up to approx. 15 cm above the floor.
- Route the lines from there behind the feet into the mounting frame.
- If an extension cabinet or sonnenProtect is installed, the lines for this can be routed through the same cable duct and to the storage system.

5.2 Securing the mounting frame

DANGER

Insufficient earthing due to incorrect installation

Danger to life due to electrocution!

The connections on the storage system that are relevant for protective earthing are labelled with earthing symbols.

- ▶ Ensure that all components at the marked earthing points are installed in the correct order.
- ▶ Tighten the screw connections with the prescribed torque in each case.

5.2.1 Selecting the mounting materials

- The lengths of the screws and wall plugs used must be suitable for the nature of the wall.
- ▶ Use screws with the following properties:

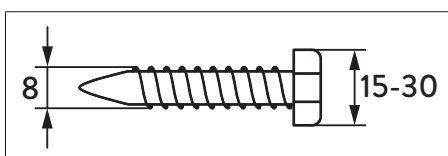


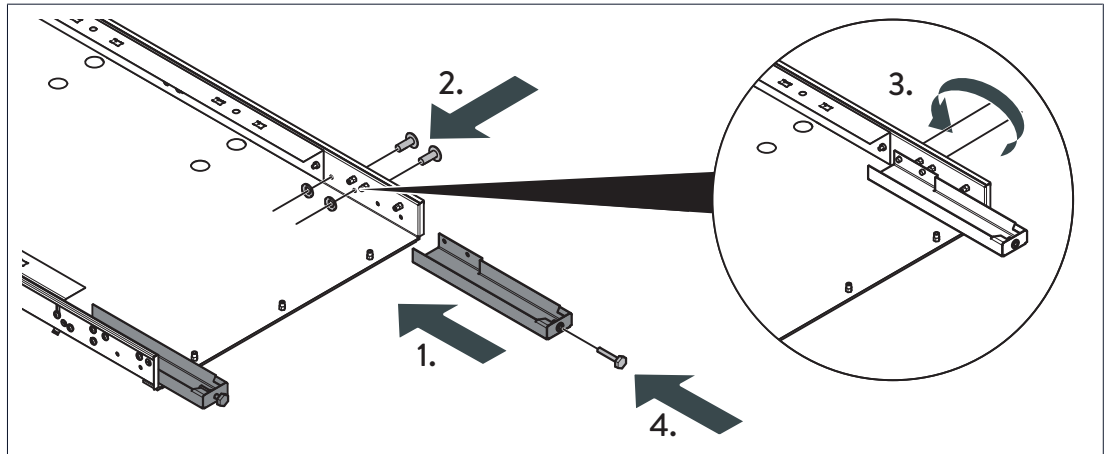
Illustration 5: Parameters for screws to be used (figure not true to scale – all measurements in millimetres)

- Minimum diameter of screw head: 15 mm
- Maximum diameter of screw head: 30 mm including any tools
- Screw diameter: 8 mm

- ▶ Select washers and wall plugs that suit the screws.

5.2.2 Installing the feet

- The total height of storage system may vary depending on how the feet are set. The height can be changed in three stages by a maximum of 12 cm by choosing the highest or lowest setting (see table with total height options [P. 22]).
- The levelling elements from the installation equipment pack can be used to compensate for uneven points in the floor.



- ▶ Use two of the four possible drilled holes on the mounting frame each to define the height of the storage system.
- ▶ Install the two feet using the screws and contact discs from the installation equipment pack (1. - 2.).
- ▶ Tighten the screws with a torque of **8 Nm** (3.).
- ▶ Install the levelling elements on the feet (4.).

5.2.3 Drilling the holes

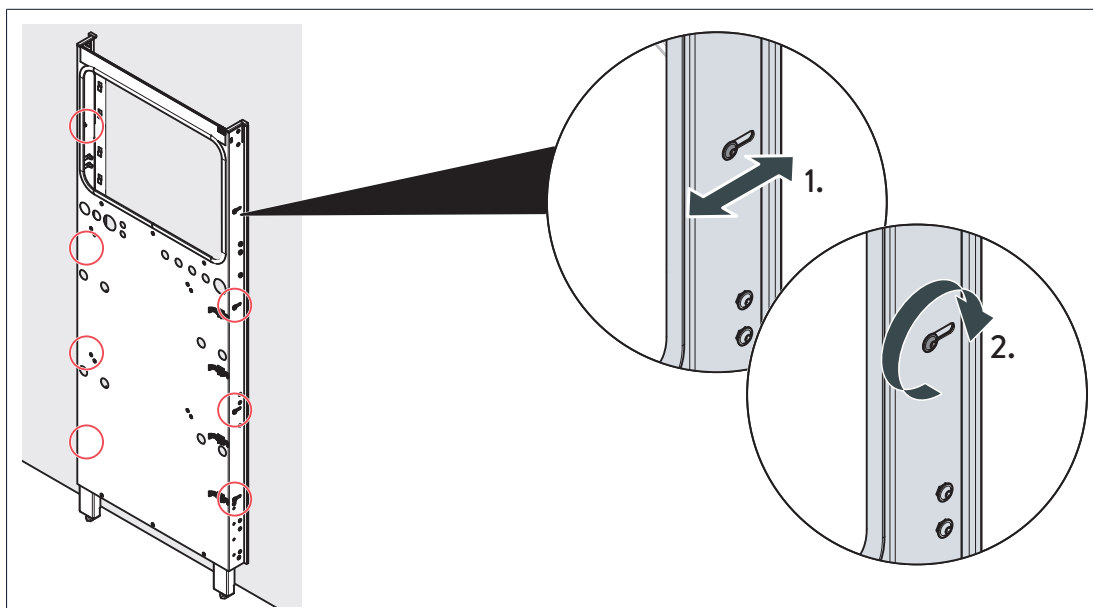
- ▶ Lean the mounting frame with the installed feet on the wall at the installation location.
- ▶ Mark out the eight holes for the wall bracket. The **outer openings** for wall mounting should be used in each case.
- ▶ Drill the holes with a suitable diameter for the selected mounting material.
- ▶ Insert suitable wall plugs in the holes.

5.2.4 Securing the mounting frame to the wall

- ▶ Use suitable screws and washers to secure the mounting frame to the wall (see Selecting the mounting materials [P. 24]).
- ▶ Ensure that the mounting frame is flat against the wall.

5.2.5 Straightening and levelling the mounting frame

- Use the slotted holes and screws (four per side) on the outer edges of the mounting frame to straighten it.



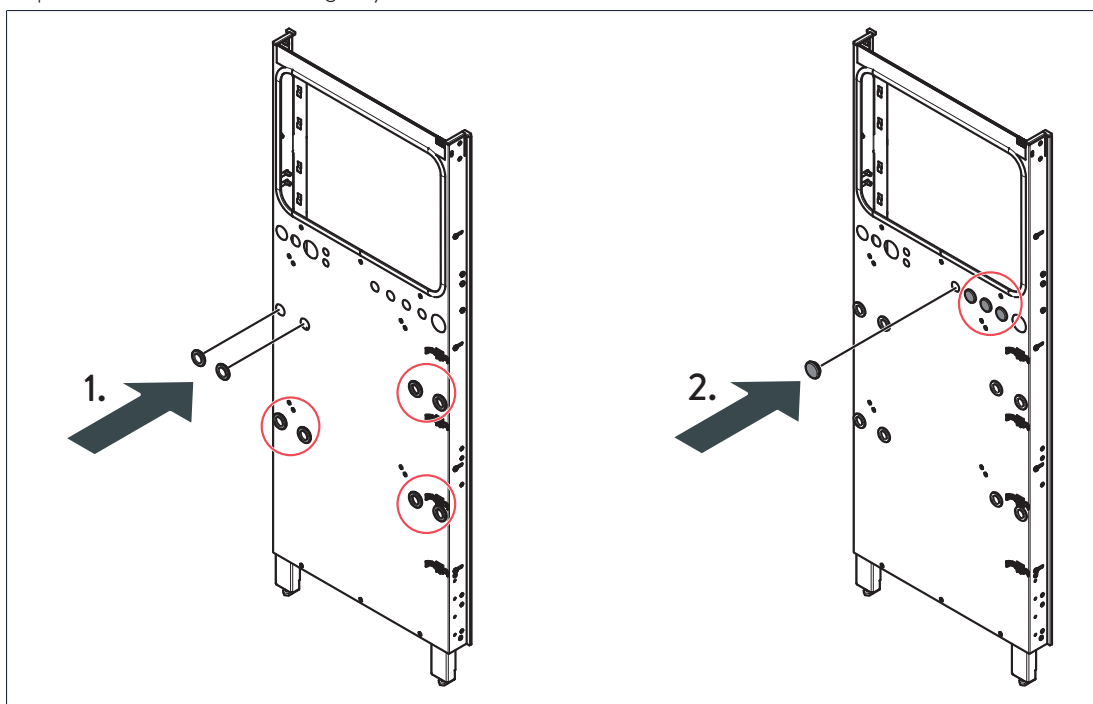
- ▶ Loosen the screws in the slotted holes. The screws are not fully tightened when delivered. The contact discs must not be removed.
- ▶ Push the mounting frame into the desired position. Use a spirit level to ensure that the mounting frame is straight and level (1.).
- ▶ Tighten the screws with a torque of **6 Nm** (2.).

5.2.6 Sealing the openings



The specified degree of protection for the storage system and therefore touch protection and protection against the ingress of foreign bodies is only achieved when all openings on the storage system are sealed as described in the product documentation.

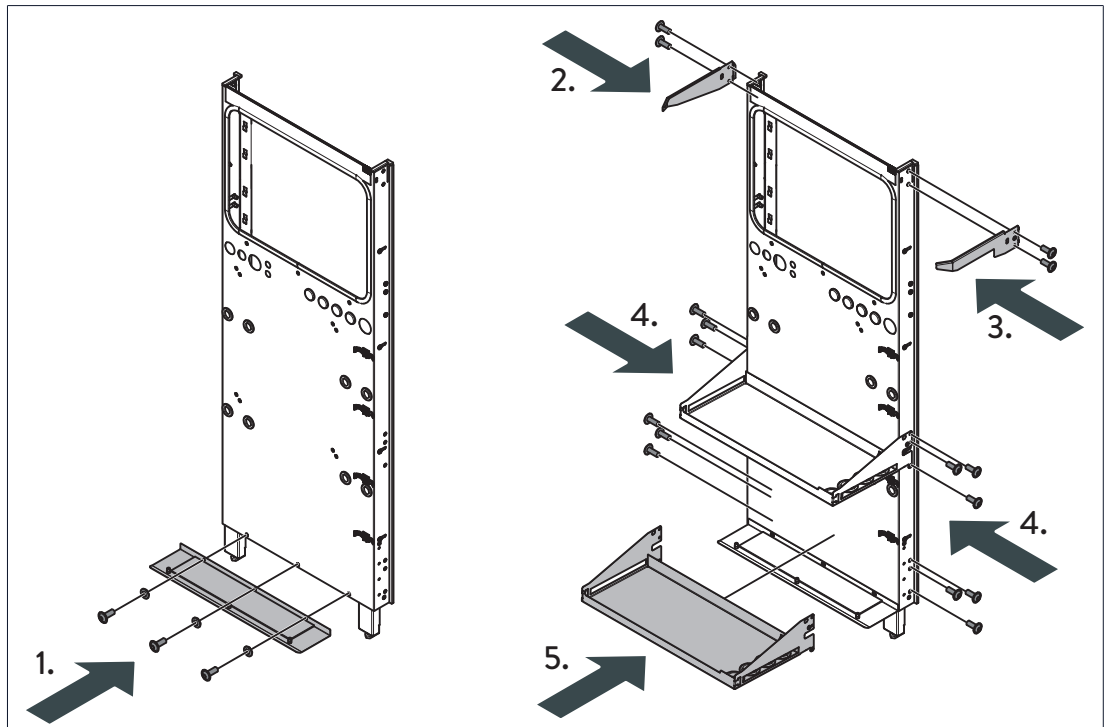
- The openings on the mounting frame must be sealed in order for the specified degree of protection for the storage system to be achieved.



- ▶ Seal the eight openings on the mounting frame shown in the figure using the dummy plugs (diameter: 32 mm) from the installation equipment pack (1.).
- ▶ Seal the four openings in the top right section of the mounting frame using suitable dummy plugs (diameter: 27.8 mm) from the accessory kit (2.).

5.2.7 Completing the mounting frame

- The individual components of the housing set must be added to the mounting frame.



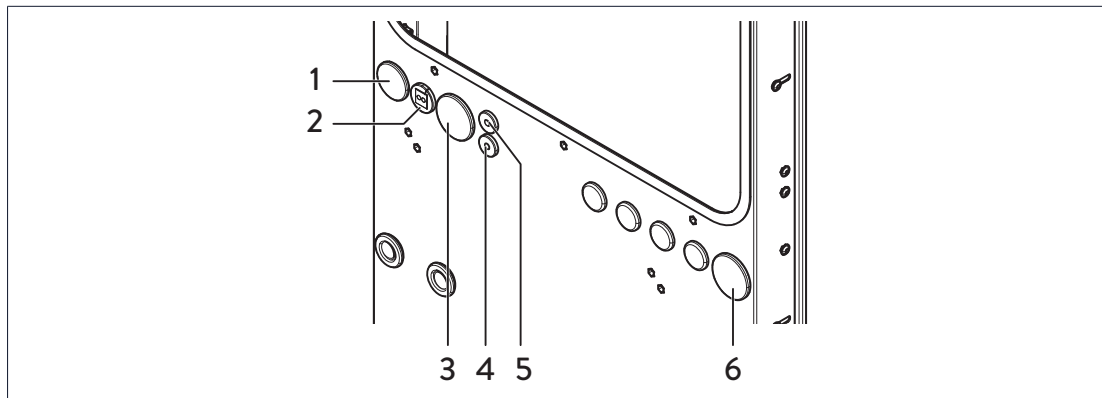
- ▶ Mount the floor plate to the mounting frame with three screws and contact discs from the installation equipment pack (1.).
- ▶ Mount the two supports for the cover and the two battery shelves on the mounting frame as shown in the figure. Use the screws from the installation equipment pack for this purpose (2. - 5.).
- ▶ Tighten the screws with a torque of **6 Nm**.

5.3 Routing lines into the system



The specified degree of protection for the storage system and therefore touch protection and protection against the ingress of foreign bodies is only achieved when all openings on the storage system are sealed as described in the product documentation.

- The openings on the mounting frame are sealed with cable entry plates and dummy plugs.
- All lines to be routed into the storage system must be directed through the designated cable entry plate.



No.	Type	Use
1	Dummy plug (Ø 40)	Reserve (DC module)
2	Cable entry point (Ø 32) with grommet for two lines	Modbus line, Ethernet line
3	Dummy plug (Ø 50)	Reserve (sonnenProtect 8000)
4	Cable entry point (Ø 20.5) for one line	Signal line for digital input/outputs
5	Cable entry point (Ø 20.5) for one line	Mains line (AC connection)
6	Dummy plug (Ø 50)	Reserve (extension cabinet)



Correct assembly must be observed when inserting the grommets into the cable entry plates. The flat side of the grommet must always be facing the flat side in the cutout of the cable entry plate.

- ▶ The position and type of cable entry point designated in each case can be seen in the figure.
- ▶ Use the cable entry points and grommets, if any, from the accessory kit to direct the lines into the storage system.
- ▶ Seal the remaining openings using the dummy plugs provided for this purpose in the accessory kit.

5.4 Installing the power module

NOTICE

Danger due to touching live components on the power module

Damage to components of the power module due to electrostatic discharge (ESD)!

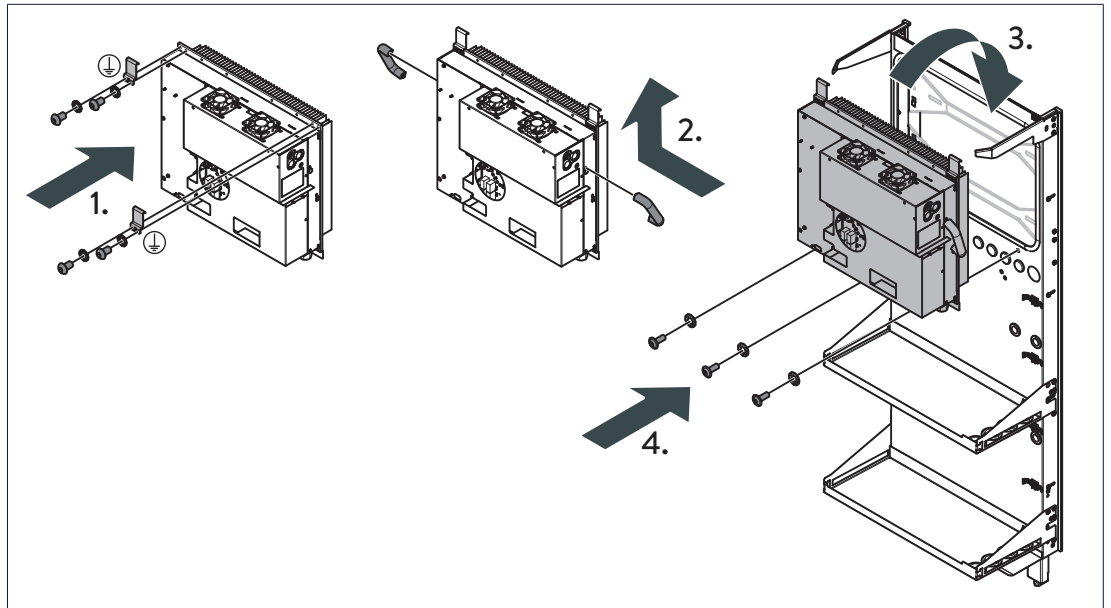
- ▶ Do not remove the touch guard on the power module and do not open the power module.
- ▶ Do not touch any components under the touch guard on the power module.
- ▶ Do not touch any components of the inverter by opening the power module.

NOTICE

Danger due to lifting the power module by the touch guard

Damage to the power module!

- ▶ Never lift the power module by the touch guard.



- ▶ Secure the two hooks to the top of the power module using the screws and contact discs provided in the installation equipment pack (1.).
- ▶ Tighten the screws with a torque of **6 Nm**.
- ▶ Lift the power module by bringing the mounting handles on the right and left side of the module into the openings and moving them up (2.).
- ▶ Hang the power module in the middle on the top edge of the mounting frame (3.).
- ▶ Secure the power module to the three drilled holes using the screws and contact discs from the installation equipment pack (4.).
- ▶ Tighten the screws with a torque of **6 Nm**.
- ▶ Hang the two mounting handles on the touch guard. The mounting handles remain in the storage system.

6 Connecting the storage system

DANGER

Electrical work on the storage system and electrical distributor

Danger to life due to electrocution!

- ▶ Switch off the storage system to electrically isolate it.
- ▶ Disconnect the relevant electrical circuits.
- ▶ Secure against anyone switching on the device again.
- ▶ Wait five minutes so the capacitors can discharge.
- ▶ Check that the device is disconnected from the power supply.
- ▶ Only authorised electricians are permitted to carry out electrical work.

DANGER

Touch voltage in the event of a fault

Danger to life due to electrocution!

- ▶ Install a selective residual current device with a nominal differential current of 300 mA in TT networks. Nominal differential currents of 100 mA or 30 mA are also possible. The type of RCD must be selected depending upon the local conditions of the network.

NOTICE

Danger due to touching live components on the power module

Damage to components of the power module due to electrostatic discharge (ESD)!

- ▶ Do not remove the touch guard on the power module and do not open the power module.
- ▶ Do not touch any components under the touch guard on the power module.
- ▶ Do not touch any components of the inverter by opening the power module.

6.1 Electrical connection overview



All of the circuit diagram overviews are for illustrative purposes only. Specific *DNO* requirements concerning the connection must be taken into account and observed. As a result, the connection to be actually implemented may differ from the following circuit diagram overviews.

- ▶ Choose the right installation version before you start the installation. The differences between the installation versions are as follows:
 - There are three different measurement concepts for recording the power. The following figure shows the **consumption measurement** (standard measurement concept).
 - The **PV inverter** can be single-phase or three-phase regardless of the building mains. The power measurement for production must be installed accordingly.
- ▶ If the storage system needs to be installed with a **sonnenProtect**, use the instructions provided in the section **sonnenProtect 8000** [P. 63] to install the components.
- ▶ For installation with **AC microgrid**, see section **Connecting an AC microgrid** [P. 79].

Electrical connection of the storage system in a three-phase house network

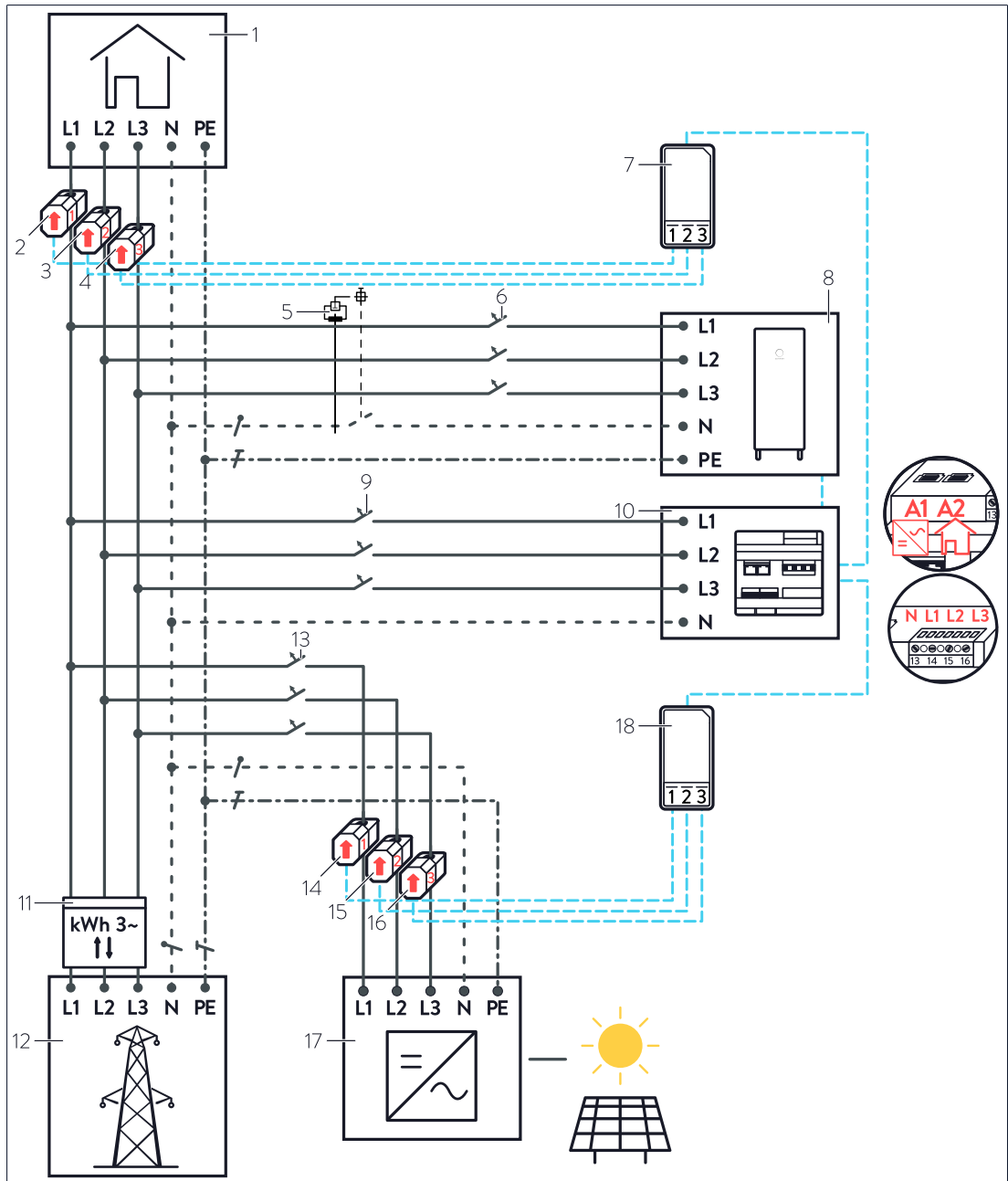


Illustration 6: Circuit diagram overview - sonnenBatterie 10 performance

- | | |
|--|--|
| 1 Consumers in building | 10 Power meter WM271 |
| 2 CT for consumption - L1 | 11 Bidirectional counter |
| 3 CT for consumption - L2 | 12 Public electrical mains |
| 4 CT for consumption - L3 | 13 MCB for PV inverter |
| 5 RCD (in TT networks ¹) | 14 CT for production - L1 |
| 6 MCB B16 | 15 CT for production - L2 |
| 7 Transformer interface for consumption (A2) | 16 CT for production - L3 |
| 8 Storage system | 17 PV inverter |
| 9 MCB ² | 18 Transformer interface for production (A1) |

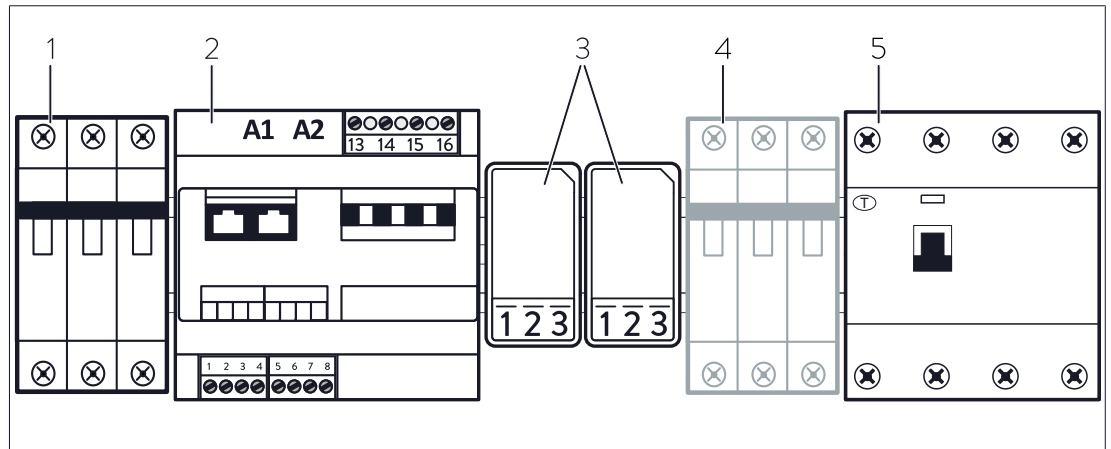
¹ Nominal differential current of 300 mA, 100 mA or 30 mA. Type of RCD depends on local conditions. Observe country-specific requirements.

² Fuse protection of line must be ensured.

6.2 Placing components in the distributor

- ▶ Mount the following components necessary for electrical connection of the storage system in the electrical distributor.

Up to 30 cm of free space on one mounting rail is needed for the components.



- | | |
|---|--|
| 1 | Miniature circuit breaker B16 (not included in scope of delivery) |
| 2 | WM271 power meter |
| 3 | Transformer interfaces |
| 4 | Miniature circuit breaker (B6) for power meter (not included in scope of delivery) |
| 5 | Residual current device (not included in scope of delivery) |

Explanations for the components:

- The miniature circuit breaker (1) protect the mains line of the storage system.
- The power meter (2) and the transformer interfaces (3) are used to measure the consumption and production of power in the building.
- The power meter is protected using a type B6 miniature circuit breaker (4). An additional miniature circuit breaker can be avoided if there is already an appropriate circuit breaker (see Connecting the power meter [P. 34]).
- A residual current circuit breaker (5) must be installed in networks with TT earthing. An RCCB type A with a rated differential current of 300 mA is sufficient for this. RCCBs with a rated differential current of 100 mA or 30 mA can also be used. This has been tested under EN 62109-1, EN 62109-2 and EN IEC 62040; country-specific requirements must be observed in each case. Depending on the local conditions of the public electricity grid, a different type may be required.

6.3 Wiring the components and storage system

- ▶ Wire the components previously placed in the electrical distributor. Follow the instructions in the **following sections** for this.

The circuit diagram overview [P. 32] shows the building installation after all components have been fully connected.

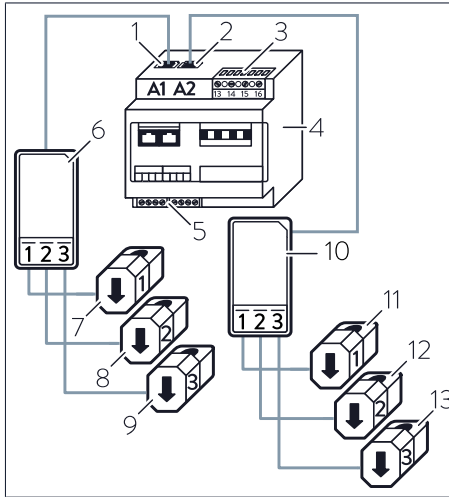
6.4 Installing the power meter



Further information on power measurement and the power meter can be found in the power meter instructions³ (English). These instructions explain, among other things, the different measurement concepts and how to use multiple power meters.

6.4.1 Connecting the power meter

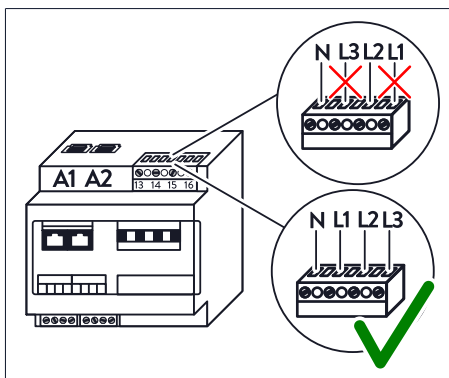
The following points must be observed when connecting power meters:



- **Never confuse inputs A1 (input for generation) and A2 (input for consumption)!**
- The lines connected to the voltage measurement terminal strip must be protected by suitable miniature circuit breakers. Additional miniature circuit breakers do not have to be installed if the lines are already protected in accordance to the relevant, currently applicable regulations and standards.

Illustration 7: Power meter WM271 components

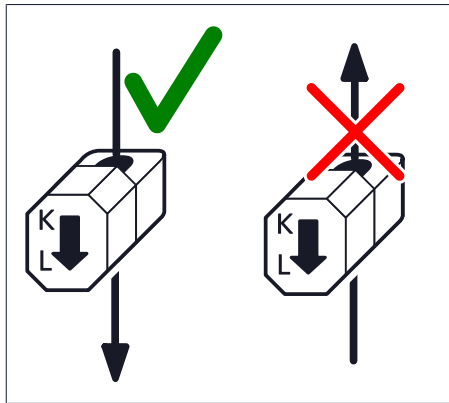
- | | | | |
|---|--|----|---------------------------------------|
| 1 | A1 – input for production | 8 | CT for production – L2 |
| 2 | A2 – input for consumption | 9 | CT for production – L3 |
| 3 | Terminal strip for voltage measurement | 10 | Transformer interface for consumption |
| 4 | Power meter | 11 | CT for consumption – L1 |
| 5 | Modbus terminal strip | 12 | CT for consumption – L2 |
| 6 | Transformer interface for production | 13 | CT for consumption – L3 |
| 7 | CT for production – L1 | | |



- When wiring the voltage terminal strip, pay attention to the correct sequence of the phases as shown in the figure on the left.

Illustration 8: Connection to the voltage terminal strip

³ document number: 401



- The clamp-on current transformers are clamped across the affected lines. The energy flow direction of the clamp-on current transformer must be observed.

The energy flow in the line must run from **K to L**.

Illustration 9: left: correct energy flow direction / right: incorrect energy flow direction

- In the case of a one-phase PV inverter only the clamp-on current transformer for the phase in question is connected. The other two clamp-on current transformers must not be connected.

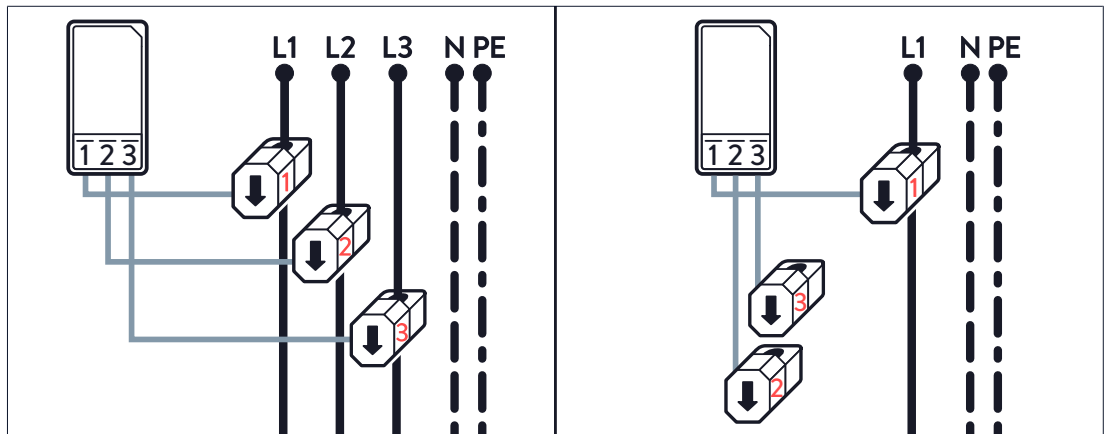


Illustration 10: Connecting the clamp-on current transformers for three-phase (left) and single-phase (right) installation

- **Do not confuse the phases!** Power measurement only works if the current and voltage of the same phase are measured.

Example: The clamp-on current transformer L1 (marked with number 1) must be connected to phase L1. This phase L1 must also be connected to terminal L1 of the voltage measurement terminal strip. Only then the correct power for phase L1 can be determined.

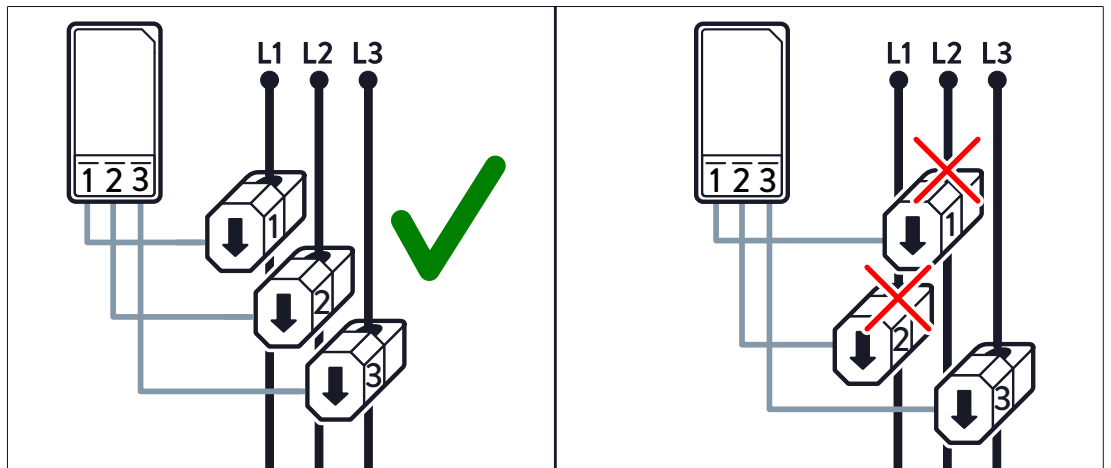


Illustration 11: Connecting the clamp-on current transformers: incorrect (right) and correct (left)

6.4.2 Connecting the Modbus line

NOTICE

Communication lines too long

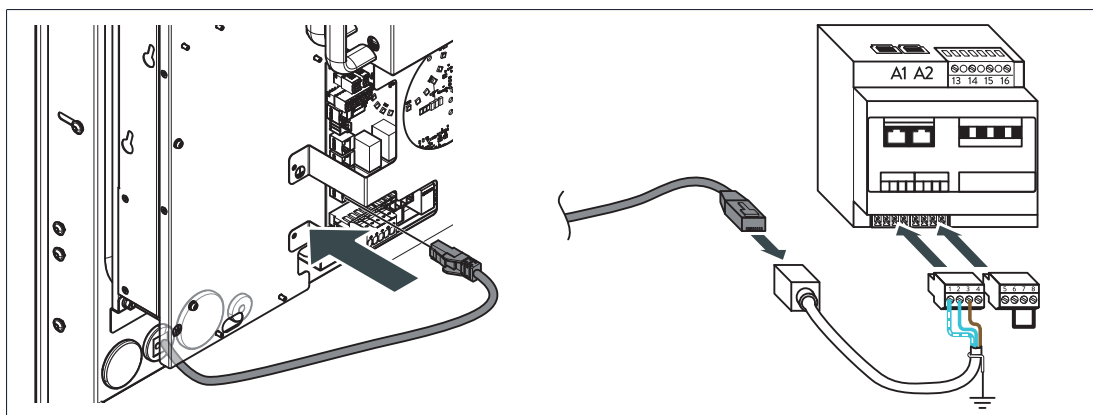
- ▶ The Ethernet line connected to the storage system must not exceed a maximum length of **100 m**.
- ▶ The Modbus line connected to the storage system must not exceed a maximum length of **150 m**.

- Measurement data is transmitted from the power meter to the storage system using the Modbus line.
- The Modbus line is connected to the power meter and the central unit of the storage system.



It is essential to ensure that a screened line is used and that the screen of the Modbus line is earthed in order to ensure optimal data transmission.

- ▶ Use a cable with the following properties as the Modbus line:
 - The cable is Cat 6.
 - The cable is shielded.



- ▶ Earth the screen of the Modbus line for the power meter⁴.
- ▶ Connect the line to the central unit of the storage system (**MOD [Meter]**).
- ▶ Use the fixing straps provided in the scope of delivery to secure the connected line to the power module. Fasten the fixing straps to a free edge of the power module to do this.
- ▶ Connect the other end of the cable to RJ-45 socket of the pre-assembled modbus line on the power meter.

If there is no jumper on the Modbus terminal strip between pins 6 and 8:

- ▶ Install a jumper between pins 6 and 8 on the Modbus terminal strip.

⁴ Install the supplied screen clamp for this purpose as described in the provided instructions.

6.5 Establishing an internet connection

NOTICE

Communication lines too long

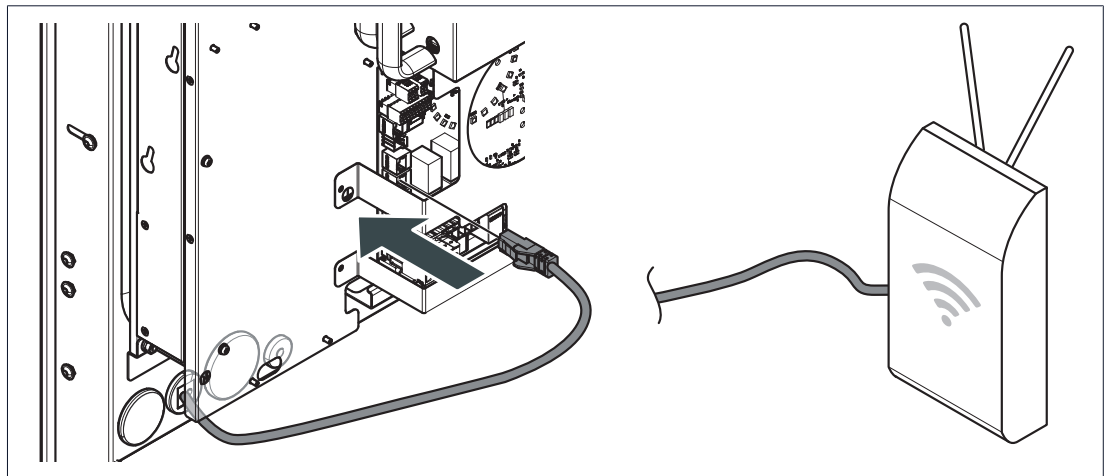
- ▶ The Ethernet line connected to the storage system must not exceed a maximum length of **100 m**.
- ▶ The Modbus line connected to the storage system must not exceed a maximum length of **150 m**.

Having a constant internet connection is one of the conditions of the warranty, as sonnen can use this to access the storage system and monitor it for correct function and import software updates.



- ▶ Please inform the operator of the storage system that the internet connection should not be interrupted for long periods of time.
- ▶ Additional information can be found in the currently applicable warranty conditions.

- The storage system establishes a connection to the internet using the Ethernet line.
- The Ethernet line is connected to the building network router and the central unit of the storage system.
- ▶ Use a cable with the following properties as the Ethernet line:
 - The cable is Cat 6.
 - The cable is shielded.



- ▶ Connect the line to the central unit of the storage system (**ETH [Router]**).
- ▶ Use the fixing straps provided in the scope of delivery to secure the connected line to the power module. Fasten the fixing straps to a free edge of the power module to do this.
- ▶ Connect the other end of the cable to the building network router.

When the Ethernet line has been connected correctly, the storage system will automatically establish a connection once it has been commissioned for the first time.

If the connection to the internet is not established after commissioning:

- ▶ Follow the instructions in section Troubleshooting [P. 96].

6.6 Connecting the mains line



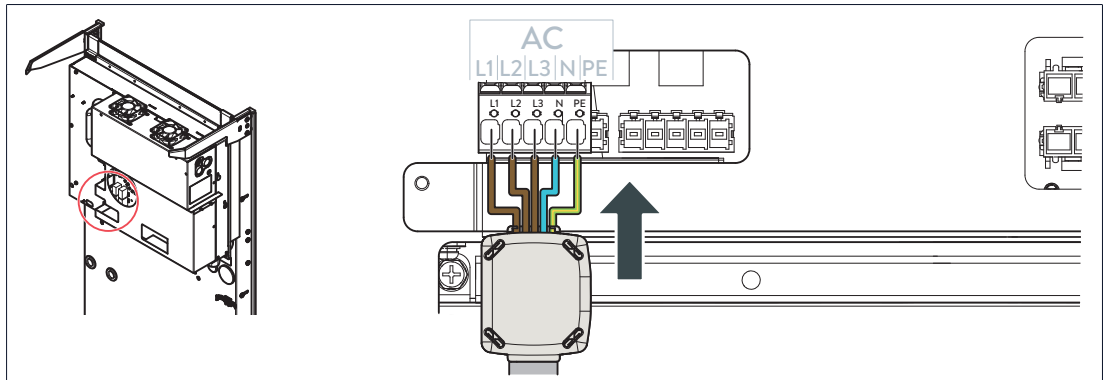
When connecting the three-phase mains line, observe the clockwise phase sequence. If there is no clockwise phase sequence, this is detected by the storage system inverter and the sonnen Eclipse lights up red.

NOTICE

Connection lines too long

- ▶ Ensure that the mains and signal lines are dimensioned so that the selected conductor cross-section is sufficient for the required line length. sonnen recommends a maximum line length of 30 m for the mains and signal lines.

- The mains line is connected to the central unit of the storage system.



- ▶ Select the mains line based on the specification (see Parts required [P. 20]).
- ▶ Attach the snap ferrite included in the scope of delivery to the mains line as shown in the figure. The ferrite does not have to be opened; the line can be pushed through it.
- ▶ Connect the individual wires (L1, L2, L3, N, PE) of the mains line as labelled on the central unit (**AC**). A clockwise phase sequence must be achieved.

6.7 Installing the battery modules

WARNING

Risk of injury due to heavy weight of battery modules

Crushing or straining due to lifting or dropping of the battery modules!

- ▶ Wear safety shoes when transporting and installing the modules.
- ▶ Ensure modules are stable.
- ▶ Two people should carry the battery modules, if possible.

NOTICE

Risk due to lifting battery modules on steel straps

Damage to the battery modules!

- ▶ Never lift battery modules on steel straps.

- Correctly installed battery modules are completely controlled by the storage system. They cannot be switched on and off manually.
- The battery modules are connected to the central unit of the storage system.
- The battery lines run from the individual battery module to the corresponding socket on the central unit of the storage system. As a result, two battery modules each are connected series. The battery module pairs are connected in parallel on the central unit.

6.7.1 Measuring the battery module voltage

NOTICE

High compensating currents

Damage to the battery modules!

- ▶ Do not install battery modules when the voltage between the modules differs by more than 2 V.

- ▶ Measure the voltage between the battery module plus pole (+) and the battery module minus pole (-) in each case and note down the measured voltage.
- ▶ Use this method to measure the voltage of all battery modules to be installed in the storage system.
- ▶ Compare the measured voltages for the battery modules and determine the maximum difference.

If the maximum difference is greater than 2 V:

- ▶ Do not install the battery modules.
- ▶ Contact the sonnen service team for more information.

If the maximum difference does not exceed the threshold, you can continue with the installation.

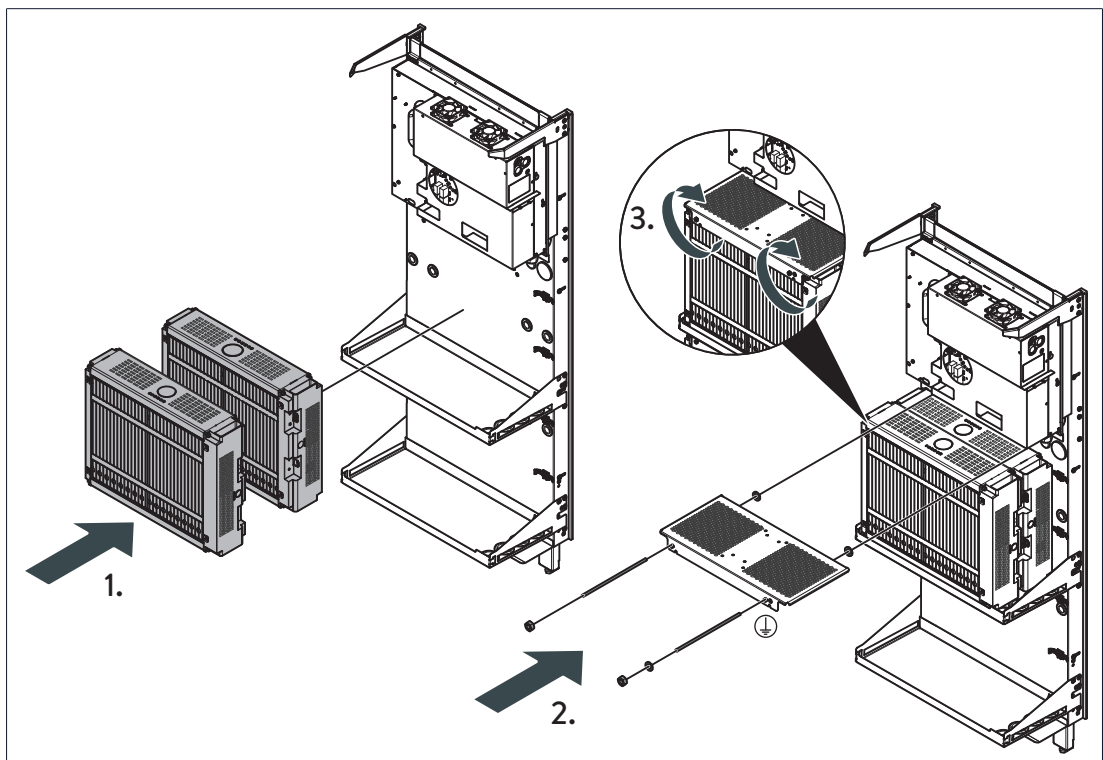
- ▶ It is ideal when the battery module pairs have a low voltage difference between the individual modules. In line with this, pair up battery modules with similar voltages.

6.7.2 Mounting the battery modules

- The battery module connections must face right in each case.
- The sides with the dents for the connections are facing each other.

i If just two battery modules are installed, they must always be mounted with the spacer plate on the top battery shelf.

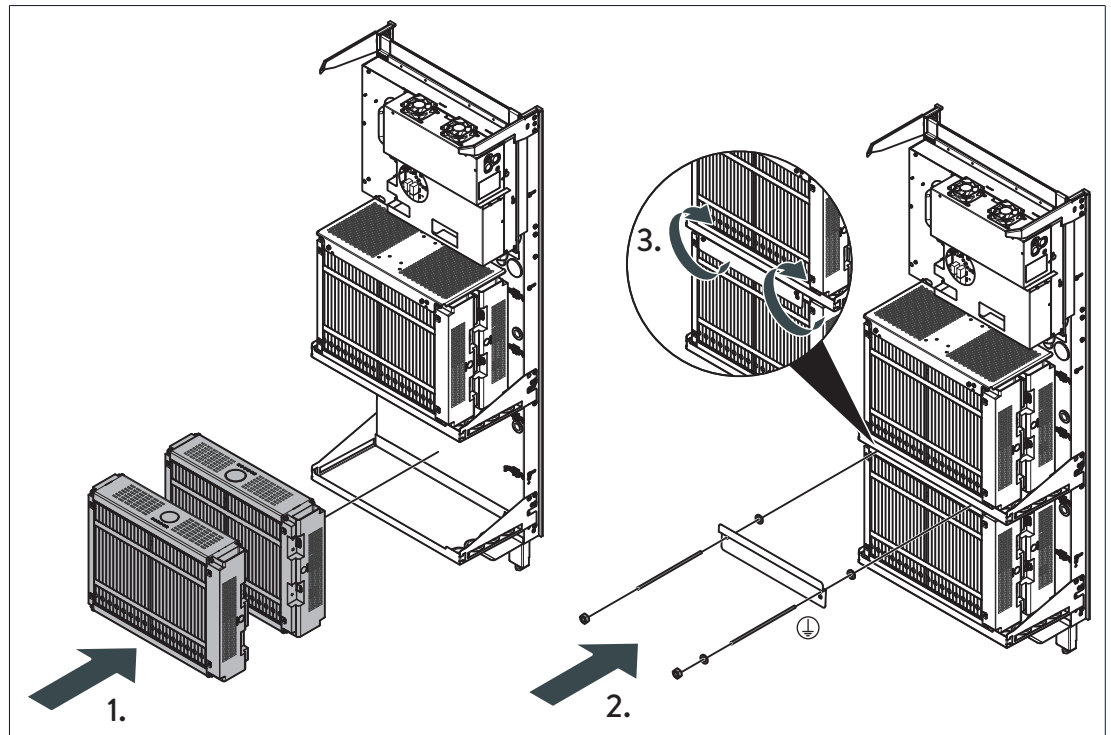
Mounting two battery modules



- ▶ Place the two battery modules one in front of the other on the top battery shelf (1.).
- ▶ Use the battery screws to fasten the spacer plate to the mounting frame. A washer (plastic) must be installed on the left battery screw. A contact disc and washer (plastic) must be installed on the right (2.).
- ▶ Install the contact disc between the nut for the battery screw and the spacer plate (2.).
- ▶ Install the two washers (plastic) between the spacer plate and the front battery module (2.).
- ▶ Tighten the battery screws with a torque of **4 Nm** (3.).

The front battery module is battery module 1 and the back module is battery module 2.

Mounting four battery modules



- ▶ Place two battery modules one in front of the other on the bottom battery shelf (1.).
- ▶ Secure the bracket using the battery screws, so that it fastens the battery modules. A washer (plastic) must be installed on the left battery screw. A contact disc and washer (plastic) must be installed on the right (2.).
- ▶ Install the contact disc between the nut for the battery screw and the spacer plate (2.).
- ▶ Install the two washers (plastic) between the bracket and the front battery module (2.).
- ▶ Tighten the battery screws with a torque of **4 Nm** (3.).

The front battery module is battery module 3 and the back module is battery module 4.

6.7.3 Connecting the battery modules

DANGER

High battery voltage (> 200 V)

Danger to life due to electrocution!

When battery lines are connected, the central unit always carries the voltage of the battery modules, even if the storage system and mains voltage are switched off.

To disconnect the battery voltage from the central unit:

- ▶ Unplug the battery lines from **all** battery modules.

WARNING

Damage to battery lines due to improper routing

Danger to life due to electrocution!

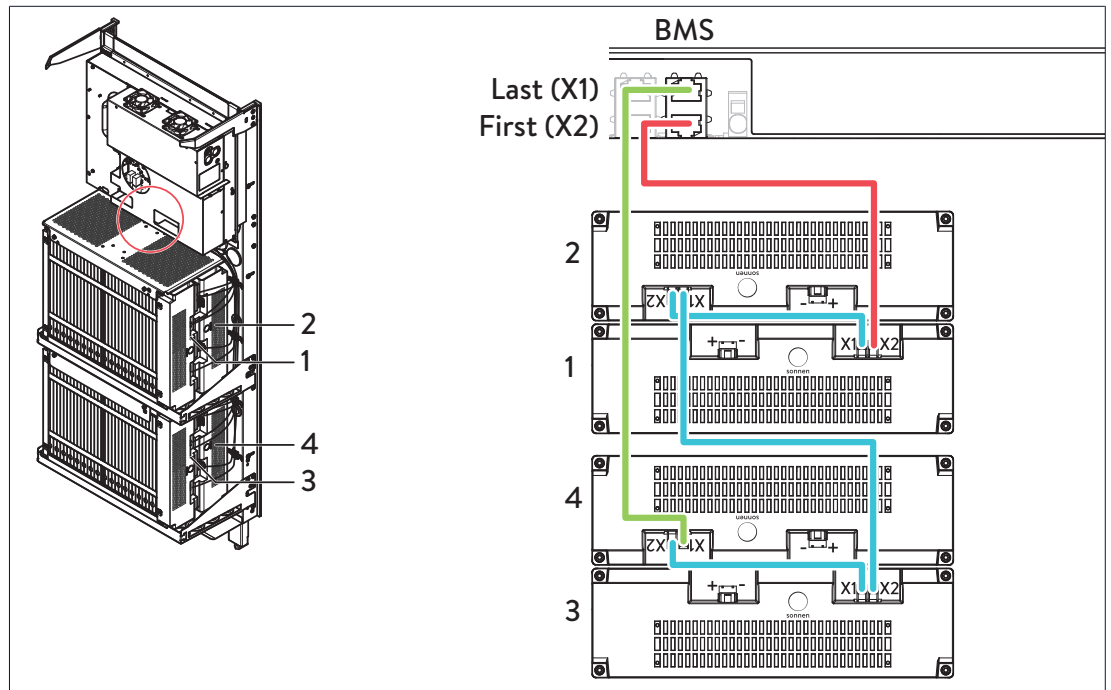
- ▶ Direct the battery lines through the openings in the battery shelves and secure with cable clips.
- ▶ Route the battery lines so that they are not kinked or crushed when the cover is mounted or removed.

The scope of delivery includes the battery lines, BMS communication lines and battery screws for the highest extension level of the storage system. If the maximum number of battery modules is not being installed:

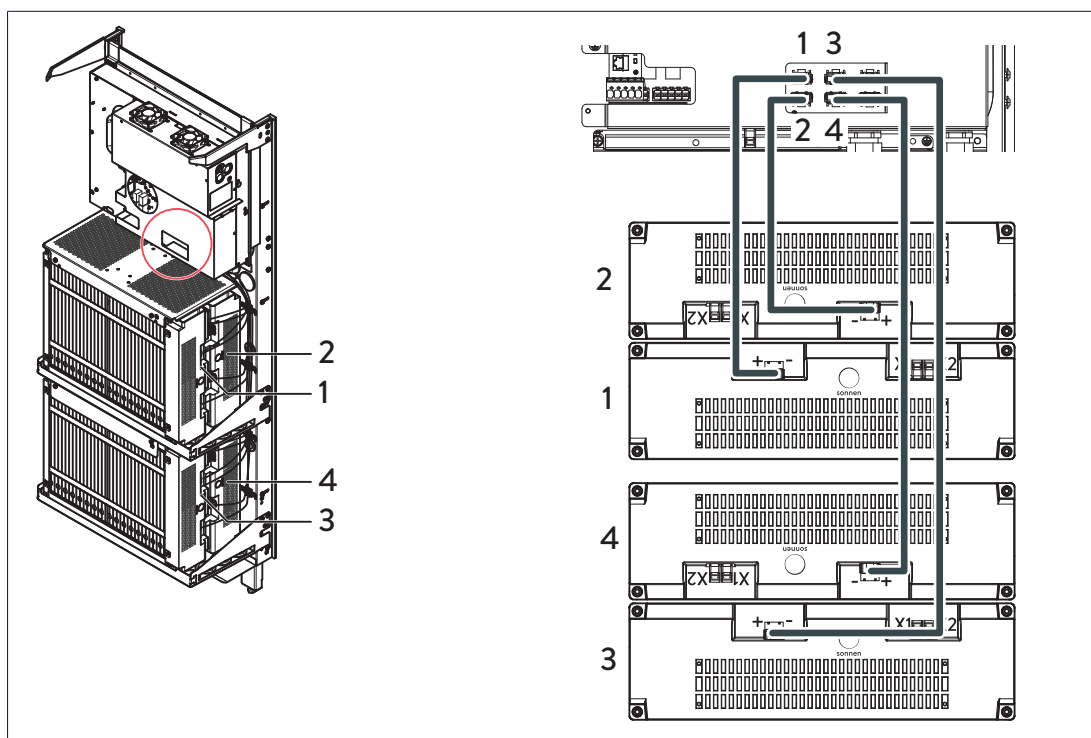


- ▶ Store the surplus components in the storage system (e.g. on the floor plate). These will then be on hand if additional battery modules are installed later.
- ▶ Ensure that the components are not damaged (e.g. when the cover is attached and removed).

- The battery modules are connected to the central unit of the storage system.
- The battery lines run from the individual battery module to the corresponding socket on the central unit of the storage system. As a result, two battery modules each are connected series. The battery module pairs are connected in parallel on the central unit.



- ▶ Connect the first BMS communication line to socket **BMS First (X2)** on the central unit. Connect the other end to battery module 1 (**X2**).
- ▶ Connect the BMS communication line for the last battery module (number 2 or 4) to socket **BMS Last (X1)** on the central unit. Connect the other end to the battery module (**X1**).
- ▶ Connect the remaining battery modules one after the other by connecting the BMS communication lines from socket **X1** to socket **X2** of the next battery module in each case.



- ▶ Connect a battery line between battery module 1 and socket **DC (BATT) - 1** on the central unit.
- ▶ Connect a battery line between battery module 2 and socket **DC (BATT) - 2** on the central unit.
- ▶ Connect the battery lines for additional battery modules in the same way.

6.7.4 Subsequent extension of storage capacity

NOTICE

Destruction of the battery modules or storage system if specifications for extending storage capacity are not observed.

Damage to or destruction of the battery modules if storage capacity is extended without observing the relevant specifications and if the battery modules are connected in series in the storage system.

▶ Always extend the storage capacity by two additional battery modules.

- Observe the serial connection between the battery modules when extending the storage capacity. This means you must always install at least two battery modules.
- The battery modules to be installed must have an SOC of approx. 30%. Observe the information in section Storing the battery modules [P. 12] concerning this.
 - ▶ Use the commissioning assistant to set the Operating Mode Battery-Module-Extension (30%). **NOTICE! This must take place at least 24 hours before extension, as this is the only way the voltage of the installed battery modules can sufficiently adjust to the voltage of the new battery modules to be installed.**
 - ▶ Switching the storage system off to electrically isolate it [P. 94].
 - ▶ Remove the cover.
 - ▶ Mounting the battery modules [P. 39].
 - ▶ Check or add to the battery lines and BMS communication lines of all installed battery modules. The connection sequence described in section Connecting the battery modules [P. 42] must be followed.
 - ▶ Mark the new storage capacity on the type plate of the storage system (on the switch panel of the power module). Clearly void out the marking for the old storage capacity.
 - ▶ Attaching and earthing the cover [P. 87].
 - ▶ Switching the storage system on [P. 90].
 - ▶ Change the operating mode from module extension to the right operating mode (e.g. Automatic - Self-Consumption) in the commissioning assistant.

7 Installing the extension cabinet (optional)

NOTICE

Damage to the battery modules when installing the extension cabinet after initial commissioning

If an extension cabinet is added to the storage system after the system has already been commissioned, the battery modules may be damaged. Therefore:

- ▶ Observe the information in section Extension of storage capacity [P. 45] if you are retrofitting an extension cabinet to the storage system.

- One extension cabinet can be added to the storage system. An extension set, housing set with mounting frame and the desired number of battery modules are required for this (for list of components, see Scope of delivery [P. 16]).
- The nominal storage capacity of the storage system can be extended from 22 kWh (four battery modules) to up to 55 kWh (total of 10 battery modules).

7.1 Mounting the extension cabinet

- The extension cabinet is essentially mounted similarly to the storage system (see Installing the storage system [P. 22]).
- **Differences in mounting are described in the following sections.**

7.1.1 Selecting the installation location

NOTICE

Insufficient load-bearing capacity of wall fixing for mounting

Damage to storage system and surrounding area!

The wall fixing selected for the installation of the storage system must be able to support a weight of 960 kg. The wall fixing selected for the extension cabinet must be able to support a weight of 1160 kg.

- ▶ Ensure that the mounting material and the wall have the required load-bearing capacity. Ensure that the correct distances between the storage system and extension cabinet are observed.
- ▶ Use all of the mounting points on the mounting frame of the storage system and the extension cabinet.

- The extension cabinet can be mounted to the left or right of the storage system.
 - ▶ Maintain the minimum distances for the storage system and for the extension cabinet (see Minimum distances [P. 22]). The distance between the storage system and the extension cabinet can be reduced compared to the required minimum distances, but must always be **at least 15 cm**.
 - ▶ Do not select a distance that is too great between the storage system and extension cabinet.



The supplied double battery line (length: 5 m) must be routed from the power unit of the storage system through the cable entry points to the battery coupling inside the extension cabinet. The double battery line must not be extended because this would cause increased voltage drops and malfunctions.

- ▶ Note the size of the connector on the battery lines in terms of routing the line (e.g. when guiding it through the cable ducts).

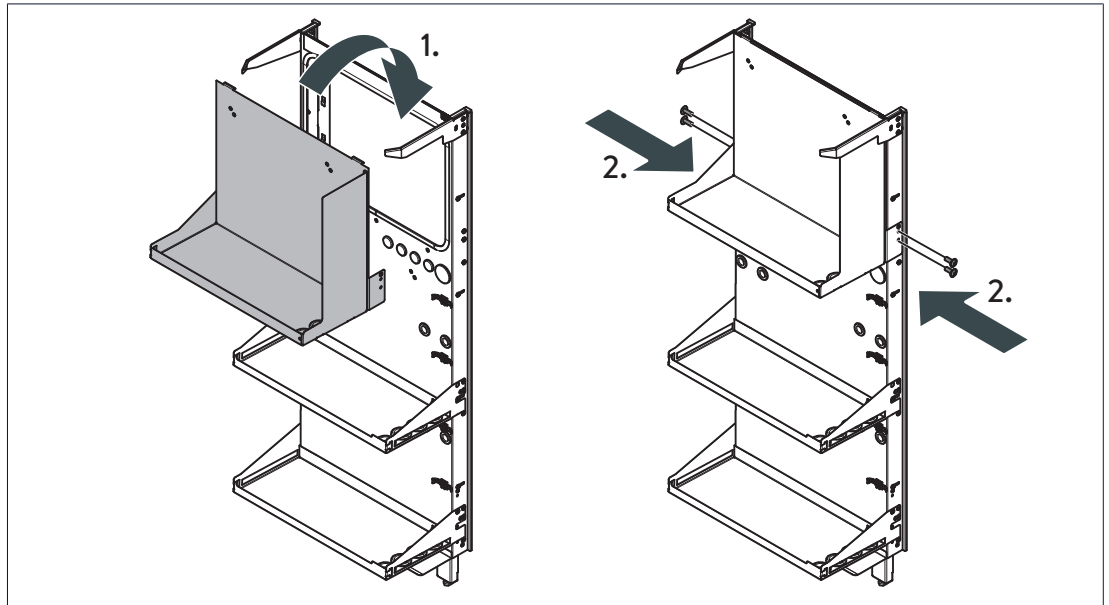
7.1.2 Installing the mounting frame

- ▶ Install the mounting frame on the wall as described in section Securing the mounting frame [P. 24].

Sealing the openings [P. 26]:

- ▶ Remove the four dummy plugs (diameter: 27.8 mm) for the extension cabinet from the extension set.

Completing the mounting frame [P. 27]:



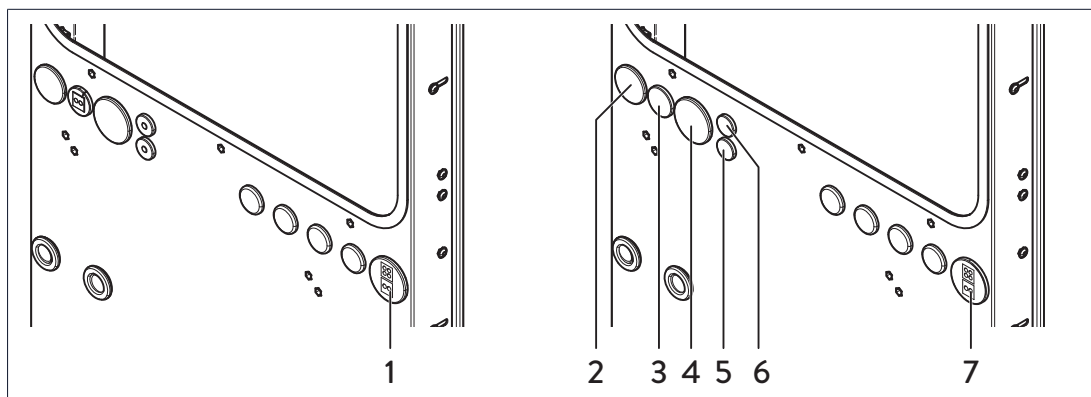
- ▶ Install the battery shelves included in the extension set with the screws already pre-mounted on the mounting frame, as shown in the figure.
- ▶ Tighten the screws with a torque of **6 Nm**.

7.1.3 Line entry point



The specified degree of protection for the storage system and therefore touch protection and protection against the ingress of foreign bodies is only achieved when all openings on the storage system are sealed as described in the product documentation.

- ▶ Remove the reserve dummy plug ($\varnothing 50$) for the extension cabinet on the storage system.
- ▶ Use the cable entry points and grommets, if any, from the extension set to direct the lines into the storage system and the extension cabinet.

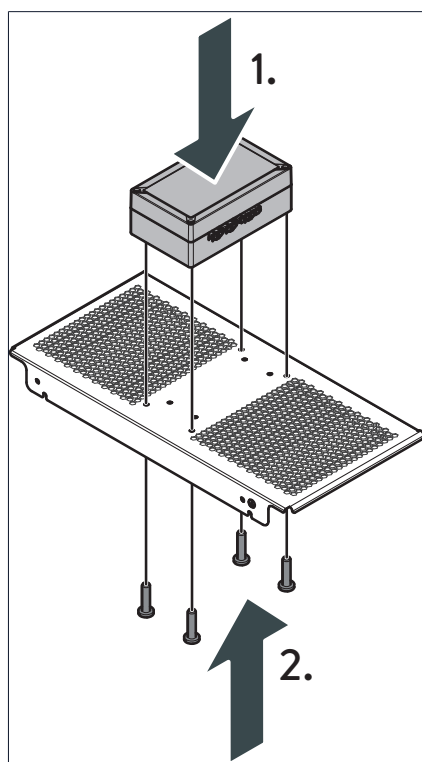


No.	Type	Use
1	Cable entry plate (Ø 50)	Top: battery line (four individual lines) Bottom: 2 × BMS communication lines
2	Dummy plug (Ø 40)	For sealing
3	Dummy plug (Ø 32)	For sealing
4	Dummy plug (Ø 50)	For sealing
5	Dummy plug (Ø 20.5)	For sealing
6	Dummy plug (Ø 20.5)	For sealing
7	Cable entry plate (Ø 50)	Top: battery line (four individual lines) Bottom: 2 × BMS communication lines



Correct assembly must be observed when inserting the grommets into the cable entry plates. The flat side of the grommet must always be facing the flat side in the cutout of the cable entry plate.

7.1.4 Mounting the battery coupling



- ▶ Mount the battery coupling from the extension set to the spacer plate using the four supplied screws.

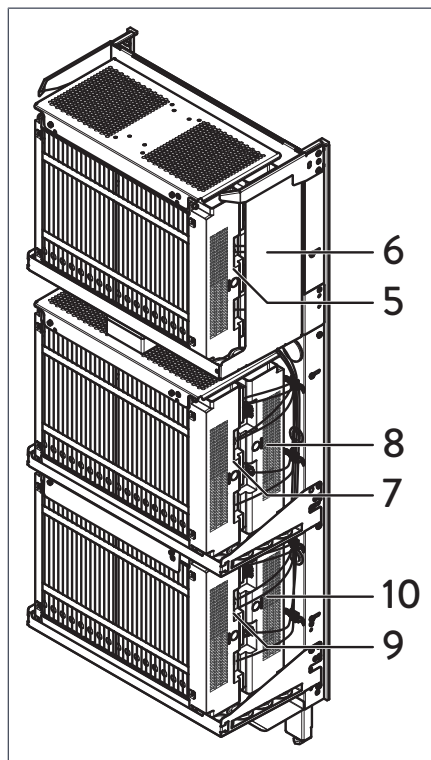
7.2 Connecting the extension cabinet

The scope of delivery includes the battery lines, BMS communication lines and battery screws for the highest extension level of the storage system. If the maximum number of battery modules is not being installed:



- ▶ Store the surplus components in the storage system (e.g. on the floor plate). These will then be on hand if additional battery modules are installed later.
- ▶ Ensure that the components are not damaged (e.g. when the cover is attached and removed).

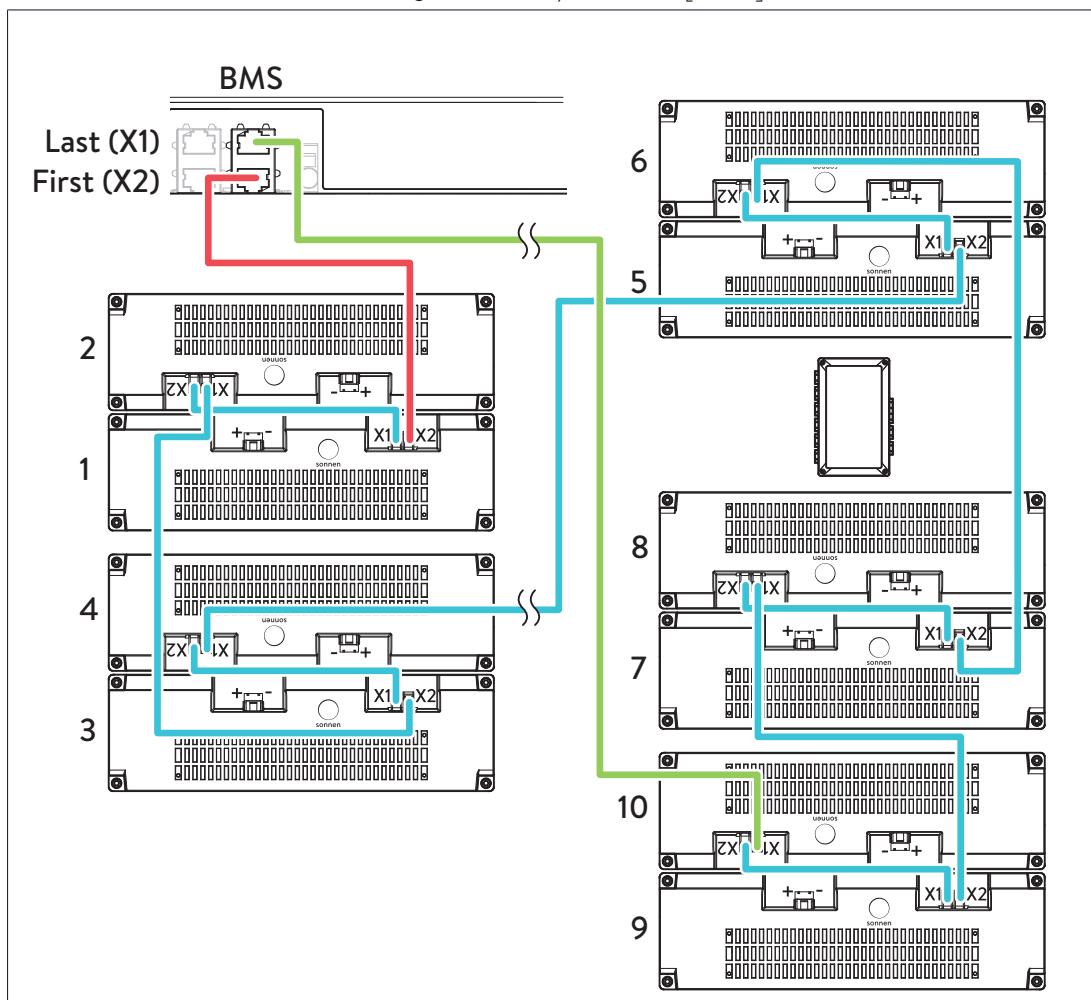
7.2.1 Positioning the battery modules



- ▶ Arrange the battery modules in the extension cabinet as shown in the figure.
- ▶ Mount the battery modules like those in the storage system (see Mounting the battery modules [P. 39]).

7.2.2 Connecting the BMS communication lines

- The first and last battery module are connected to the central unit of the storage system using two BMS communication lines. These two lines are guided through the cable entry plates on the storage system and on the extension cabinet.
- The battery modules are connected to each other via the BMS communication lines as described in section Connecting the battery modules [P. 42].



- Connect the BMS communication lines as shown in the figure.

The first battery module (in the storage system) is connected to the **BMS First (X2)** socket on the central unit of the storage system. The last battery module (in the extension cabinet) is connected to the **BMS Last (X1)** socket on the central unit of the storage system.

7.2.3 Connecting the battery lines

DANGER

High battery voltage (> 200 V)

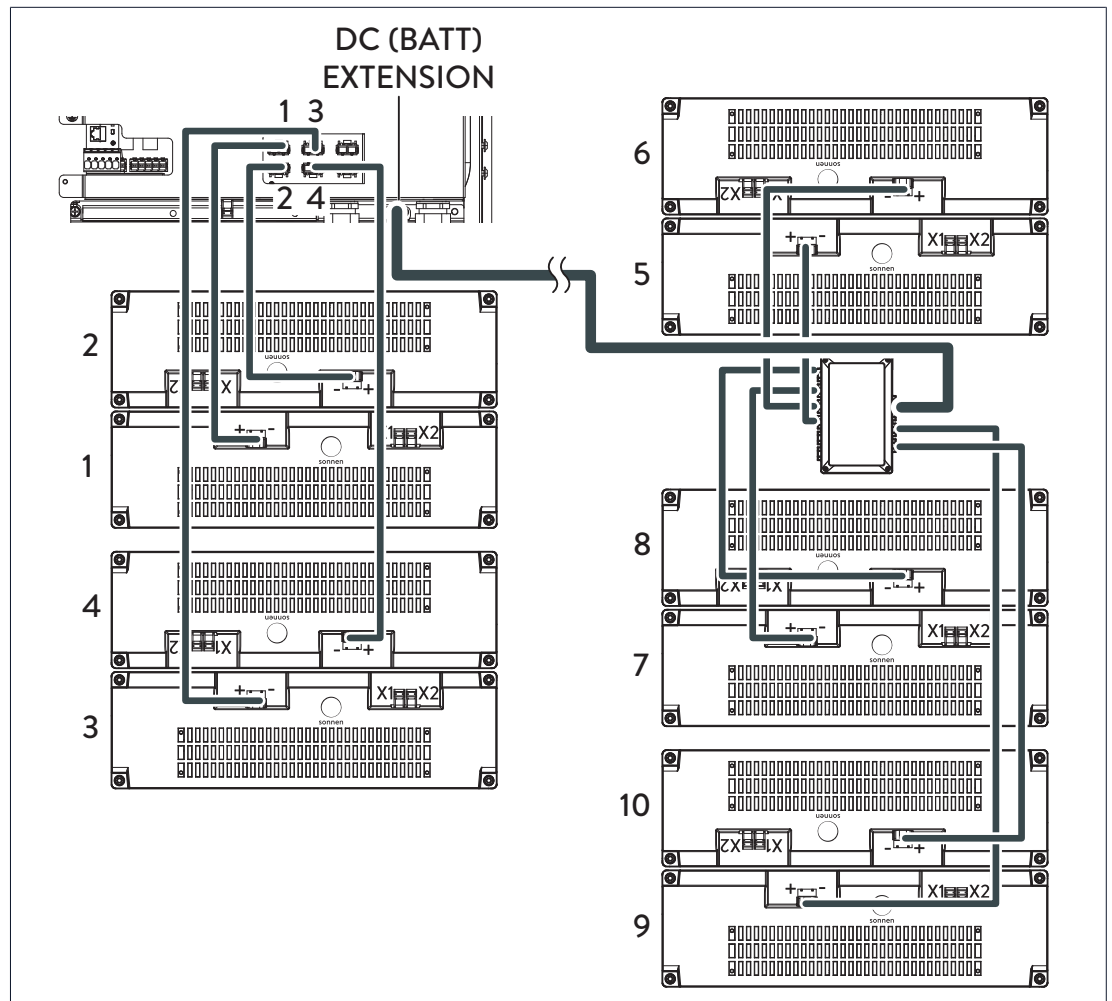
Danger to life due to electrocution!

When battery lines are connected, the battery coupling always carries the voltage of the battery modules, even if the storage system and mains voltage are switched off.

To disconnect the battery voltage from the battery coupling:

- Unplug the battery lines from **all** battery modules.

- The battery modules in the extension cabinet are connected to the battery coupling using the battery lines.
- The battery coupling is connected to the central unit of the storage system using the double battery line.



The placement of the battery modules (see Positioning the battery modules [P. 49]) determines the number for connection to the battery coupling.

- ▶ Note the numbering on the battery coupling for connection of the battery modules.
- ▶ Connect the battery lines as shown in the figure.

7.3 Completing the extension cabinet installation

Filling out and adding to the type plate

- ✓ If the storage system is being commissioned with the extension cabinet for the first time:
 - ▶ Mark the relevant values on the type plate (see Filling out the type plate [P. 87]).
- ✓ If the storage system has already been commissioned for the first time without an extension cabinet:
 - ▶ Invalidate the existing storage capacity notation on the type plate of the storage system.
 - ▶ Mark the new installed storage capacity on the type plate.

Mounting the cover and switch cover

- ▶ Mount the extension cabinet completely, similarly to the storage system (see Attaching the cover [P. 87] and Attaching the switch cover [P. 88]).

Continuing the installation of the storage system

- ▶ When the extension cabinet is completely mounted and sealed, continue with section Checking the installation [P. 88].

8 Using digital inputs/outputs (optional)

NOTICE

Connection lines too long

- ▶ Ensure that the mains and signal lines are dimensioned so that the selected conductor cross-section is sufficient for the required line length. sonnen recommends a maximum line length of 30 m for the mains and signal lines.

NOTICE

Over voltage when switching off electromagnetic relays

Damage to components!

- ▶ Only use electromagnetic relays with a protective circuit (e. g. with a free-wheeling diode) or semiconductor relays.



The wiring configurations described in the following are examples only; they do not apply universally and serve only as a guide for the electrician performing the installation. The electrician performing the installation is responsible for connecting the system correctly. In some cases, the permission of the distribution network operator (DNO) or power supply company may be required.



External components (terminals, contactors, relays, etc.) needed to wire up the digital inputs/outputs are not supplied.

8.1 Overview of digital inputs and outputs

- The signal line for using digital inputs and outputs is connected directly to the central unit of the storage system. This approach ensures flexible use of the special functions, as only the required connections are used and the line lengths can be adapted individually to the on-site conditions.
- The connections on the central unit of the storage system are marked as **DI/DO** with numbers 1–20. The following table shows which number stands for which digital input or output and indicates the possible wire cross-sections for the signal lines used.
- Two relays are additionally installed on the central unit, which are required in order to use PV reduction. These relays are labelled as **PV red..**

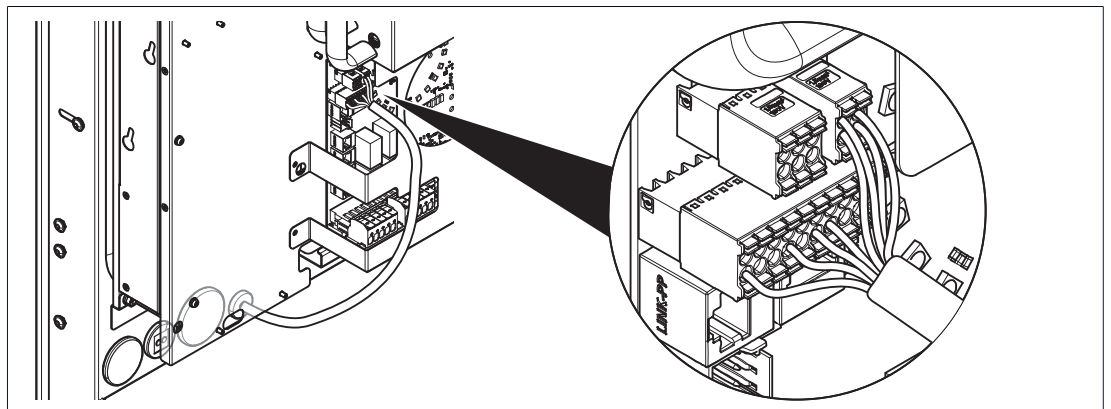


Illustration 12: Position of connections on the central unit

- ▶ Use the fixing straps provided in the scope of delivery to secure the connected line to the power module. Fasten the fixing straps to a free edge of the power module to do this.

Label	Function	Wire cross-section [mm ²] ⁵	Voltage [VDC]	Max. amperage [mA]
1 DO GND	Digital output <i>GND</i>	0.25–1.5	0	350
2 DO GND	Digital output <i>GND</i>	0.25–1.5	0	350
3 DO RES	Reserve	0.25–1.5	-	-
4 DO RES	Reserve	0.25–1.5	-	-
5 DO CHP	Digital output <i>CHP</i>	0.25–1.5	24	50
6 DO SCR	Digital output for self-consumption switch	0.25–1.5	24	50
7 DO GEN	Reserve	0.25–1.5	-	-
8 DO RES	Reserve	0.25–1.5	-	-
9 DI 24V	Supply voltage for digital inputs	0.25–1.5	24	50
10 DI 24V	Supply voltage for digital inputs	0.25–1.5	24	50
11 DI FLAT	Digital input for sonnenFlat	0.25–1.5	24	50
12 DI CHP	Digital input <i>CHP</i>	0.25–1.5	24	50
13 DI RES	Reserve	0.25–1.5	-	-
14 DI RES	Reserve	0.25–1.5	-	-
15 DI RES	Reserve	0.25–1.5	-	-
16 DI RS	Reserve	0.25–1.5	-	-
17 N.C.	Reserve	0.25–1.5	-	-
18 RS VCC	Reserve	0.25–1.5	-	-
19 ATS	Reserve	0.25–1.5	-	-
20 ATS GND	Reserve	0.25–1.5	-	-

Table 4: Technical data for digital inputs (DI) and outputs (DO)

PV red. (3, 4)	PV reduction 1	0.25–1.5	5-60 (SELV)	550
PV red. (1, 2)	PV reduction 2	0.25–1.5	5-60 (SELV)	550

Table 5: Load capacity of relays for PV reduction

⁵ The use of flexible conductors with end ferrules with plastic sleeves allows the following conductor cross-sections: 0.14–0.75 mm².

8.2 Connecting digital inputs/outputs

8.2.1 Implementing PV reduction



No external relays are needed for PV reduction, as the necessary relays are already integrated in the central unit of the storage system.

NOTICE

Overloading of relays for PV reduction

Damage to relays on the central unit!

- ▶ Only load the relays for PV reduction (PV red. 1 and PV red. 2) up to a maximum voltage of 60 V (SELV) and a maximum amperage of 550 mA.

Using the PV reduction digital outputs - PV reduction 1 and 2 - is a good idea if the feed-in power of the PV system must not exceed a fixed value (feed-in limit).

The PV reduction digital outputs can be used to automatically control the output power of the PV inverter so that the feed-in power does not exceed the required value in a 10-minute average interval.

Function

The **PV red. 1** and **PV red. 2** connections on the central unit of the storage system are **potential-free contacts**. PV reduction 1 and 2 are activated and deactivated automatically by the storage system depending on the current feed-in power.

When the feed-in power falls below the feed-in limit, both contacts are deactivated. This corresponds to level 0. As soon as power reduction is required, the contacts are activated in levels as shown in the following table. If level 1 does not achieve the desired effect, for example, then level 2 is activated, and so forth.

Relay / Level	0	1	2	3
PV red. 1				
PV red. 2				

Table 6: Make contact positions depending on activated level

Connecting PV reduction

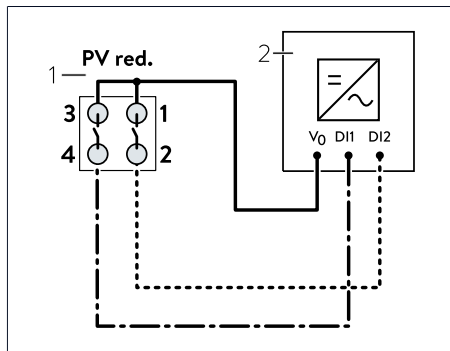


Illustration 13: Connecting PV reduction

- 1 Connecting PV reduction to the storage system
- 2 PV inverter with interface for power control

Prerequisite:

- ✓ The PV inverter has a suitable interface for power control (e. g. an interface for a ripple control receiver).
- ▶ Wire the PV reduction as shown in the figure here. Connections 3 and 4 form **PV reduction 1**, connections 1 and 2 form **PV reduction 2**.

Configuring settings

- The reduction levels for the PV system are set in the commissioning assistant and on the PV inverter of the PV system.
- ▶ Set the desired reduction levels in the commissioning assistant of the storage system on page PV System and on the PV inverter.

Level	Max. active power
0	100 % of the PV system power
1	Feed-in limit of PV system in % plus 10
2	Feed-in limit of PV system in % minus 15
3	1 %



A power specification of 0% causes some PV inverters to disconnect from the grid, stopping energy production and leading to a complete restart. This behaviour is not required to operate the storage system and may reduce the service life of the PV inverter. Sonnen therefore recommends setting reduction level 3 to 1% as a default.

The values for levels 1 and 2 depend on the **individual** feed-in limit of the PV system in question. The addition or subtraction of the stated percent values leads to an optimal regulation by the storage system.

Example: The feed-in of the PV system is limited to 70% of the rated power. The following values need to be set on the PV inverter:

Level 1	80 % (70 % plus 10)
Level 2	55 % (70 % minus 15)
Level 3	1 %

8.2.2 Using electrical consumers for self-consumption optimisation

When **digital output (DO) Self-consumption switch** is used, the controls of the storage system activate an external electrical consumer in certain circumstances, which holds the existing surplus of electricity.

Function

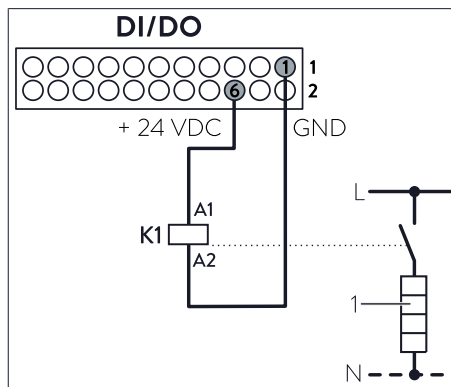
Digital output ‘Self-consumption switch’ is activated as soon as a defined production surplus (= production - consumption - charging of storage system) has been reached. The production surplus is defined by the Threshold to start (in watts). If the surplus electricity exceeds this limit, the digital output remains activated for the duration of the defined Minimal on time (in seconds).

Configuring settings

The switching behaviour of the self-consumption switch is controlled using the commissioning assistant.

- ▶ Adapt the Threshold to start and Minimal on time for the connected electrical consumer.

Application example



- 1 Heating element
- K1 External contactor

Activating and deactivating a heating element

The heating element (1) is connected to digital output ‘Self-consumption switch’ via an external contactor and can be activated or deactivated as needed. The nominal power of the heating element (1) was set as Threshold to start.

NOTICE! The heating medium must be prevented from excessive heating using suitable safety measures.

8.2.3 Using additional external electrical generators

If **digital output (DO) CHP** is used, the controls of the storage system activate an external electrical generator, e.g. a combined heat and power station, as soon as defined charging state conditions are met.

Function

As soon as the state of charge (SOC) of the storage system drops below a defined value (Charge state to start CHP), the digital output is activated. The digital output and thus the electrical generator remain activated until the state of charge (SOC) of the storage system reaches a defined maximum charging state (Charge state to stop CHP). Surpluses of electricity from the electrical generator are used to charge the storage system. In order for this to be included in calculations correctly when controlling the flows of energy in the building, the power output of the electrical generator must be recorded (see Recording constant power of an electrical generator [P. 59]).

Using a combined heat and power station as an electrical generator

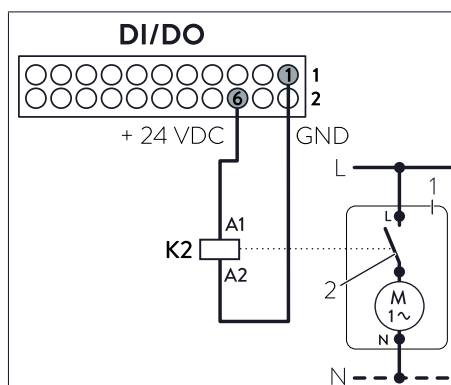
If a combined heat and power station is used as an electrical generator, it must be ensured that it mostly functions as a heat provider, i.e. the highest priority for production is the hot water supply, while production of electricity generally takes second priority. This means that when digital output CHP of the storage system is activated, the combined heat and power station may not start producing electricity immediately.

Configuring settings

The switching behaviour of the digital output is controlled using the commissioning assistant.

- ▶ Set the lower limit of the charging state at which the digital output and therefore the electrical generator are activated (Charge state to start CHP).
- ▶ Set the upper limit of the charging state at which the digital output and therefore the electrical generator are deactivated (Charge state to stop CHP).

Application example



- 1 CHP
- 2 Contact for activating CHP unit
- K2 External relay

Activating and deactivating a CHP unit

The combined heat and power station (1) is activated or deactivated using digital output CHP. The prerequisite for this is that the CHP unit must be available via a suitable interface (2) for activation/deactivation.

8.2.4 Recording constant power of an electrical generator



The use of digital inputs/outputs described here is **only permitted for electrical generators with a constant power output**. Generators with fluctuating power output, such as modulating combined heat and power stations, must **not** be connected in this way.

If **digital input (DI) CHP** is used, the controls of the storage system include the power of the connected electrical generator (e.g. a combined heat and power station) in calculations for controlling flows of energy.

Function

When digital input *CHP* is activated, the storage system adds the power output of the electrical generator to current production calculations. The power output of the electrical generator must be constant for this, as the digital input only detects the statuses of activated or deactivated.

Configuring settings

The power generated by the electrical generator is specified in the commissioning assistant.

- ▶ Activate the combined heat and power station on page Features.
- ▶ Specify the constant power of the combined heat and power station (Power).

Application example

The type of connection for digital input CHP depends on whether the CHP unit has a potential-free operating contact or not.

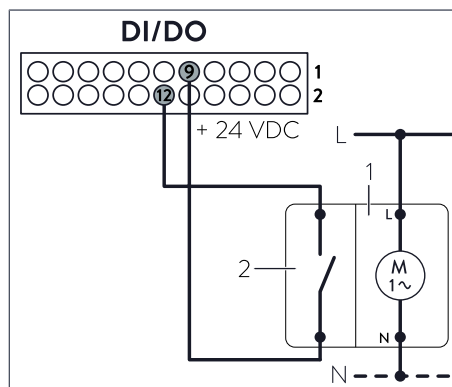


Illustration 14: Example: CHP unit with operating contact

- 1 Combined heat and power station
- 2 Potential-free operating contacts of the CHP unit (open if the station is not operating, closed if it is)

Combined heat and power station with operating contact

If the combined heat and power station (1) has a potential-free operating contact (2), it can be connected as shown in the figure. As soon as the operating contact (2) closes, digital input CHP will be activated.

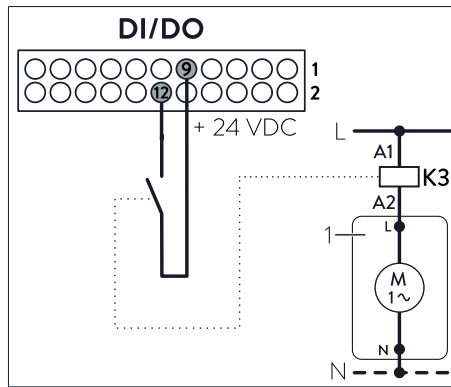


Illustration 15: Example: CHP unit without operating contact

1 Combined heat and power station

K3 Relay

Combined heat and power station without operating contact

If the combined heat and power station (1) does not have a potential-free operating contact, it can be connected as shown in the figure. In this set-up, a relay is used to detect whether the generator is active. This information is forwarded to the storage system via a potential-free make contact in the relay.

8.2.5 Recording fluctuating power of an electrical generator

- The power of an electrical generator that does not produce constant output cannot be recorded via digital input *CHP* (see Recording constant power [P. 59]).
 - ▶ Instead, the electrical generator has to be integrated in the power measurement via a separate measurement point. This may require an additional power meter and the corresponding setting of the additional measurement point in the commissioning assistant.



Further information on power measurement and the power meter can be found in the power meter instructions⁶ (English). These instructions explain, among other things, the different measurement concepts and how to use multiple power meters.

⁶ document number: 401

Example: combined heat and power station with CP measurement concept

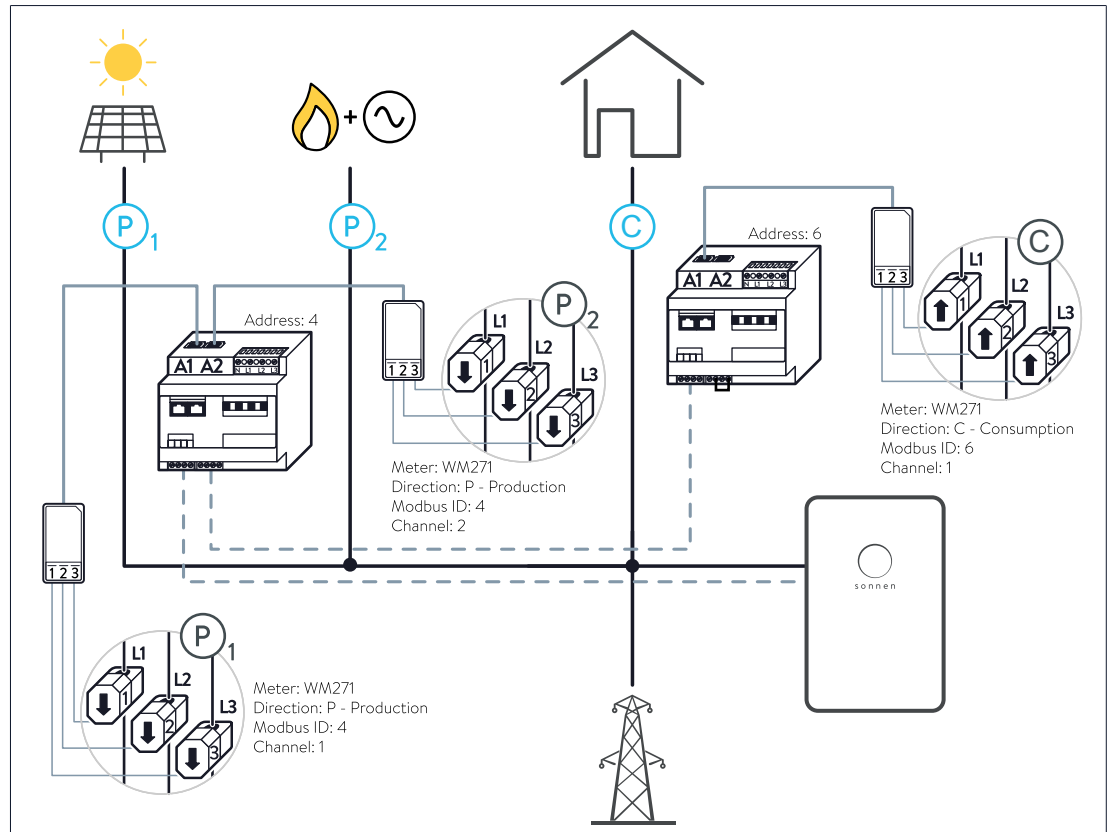


Illustration 16: Example of implementation of CP measurement concept with a CHP unit as additional generator

Information for the example

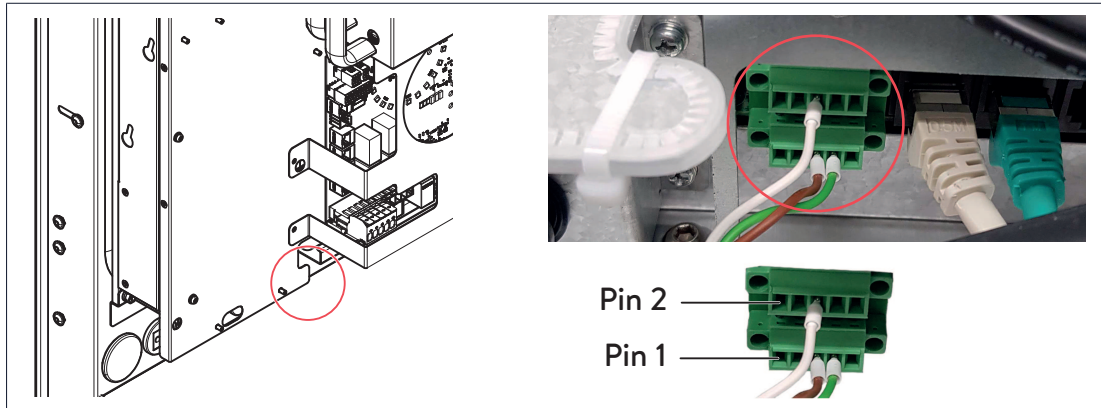
- Storage system without PV connection.
- Measurement concept: CP (Consumption Measurement).
- Measurement point C: measurement point for recording consumption in the building.
- Measurement point P₁: measurement point for recording production for the PV system.
- Measurement point P₂: measurement point for recording production for the CHP unit.
- The circuits show the connection of the clamp-on current transformer at the measurement points.

8.2.6 Implementing rapid shutdown

The rapid shutdown function of the storage system stops the release of active power from the inverter within five seconds once a corresponding signal is received from the DNO. Through this function, the system meets the requirements of application rule VDE AR-N 4105 and the Technical and organisational rules for generators ('TOR Erzeuger').

With the signal from the grid operator, the storage system can be forced to disconnect from the mains by connecting pins 1 and 2.

- There are contacts on the connectors of the storage system power unit for the rapid shutdown connection.
- Rapid shutdown must be performed with a potential-free break contact.



- ▶ Guide the rapid shutdown line into the storage system interior. To do so, use one of the four openings (diameter: 27.8 mm) in the top section of the mounting frame (see Sealing the openings [P. 26]) and use a cable entry point that is appropriate for the protection rating of the storage system.
- ▶ Loosen the screws on the connectors and remove them.
- ▶ Connect the rapid shutdown line to pin 1 and pin 2 of the connectors. The positions of pins 1 and 2 can be seen in the figure.
- ▶ Then reconnect the two connectors to the power unit and secure them with the screws.

Activating rapid shutdown



The RS function must be activated in the *Commissioning assistant*. If the function is activated without the line being connected to the power unit, the storage system may not function properly.

9 sonnenProtect 8000 (optional)

- Both when the sonnenBatterie 10 performance is first being installed and after the fact, a sonnenProtect 8000 can be added to the system.
 - ▶ Observe the Safety [P. 7] information for the storage system and sonnenProtect at all times!
 - ▶ Observe the Storage and transport [P. 12] instructions for the storage system at all times, as these also apply to the sonnenProtect.
 - ▶ Note that if installed after the fact (after the storage system has already been commissioned without sonnenProtect), changes may be needed to the power measurement and electrical installation in the building.

Connection options for the sonnenProtect

The sonnenProtect is designed as standard to provide backup power for all three phases of an entire household in the event of a grid outage (**connection option 1**). This is possible for the on-site connection **up to an amperage of 35 A**.

If the building has a larger connection (e.g. 63 A), three-phase **backup circuits** must be installed **separately (connection option 2)**. In this case, when there is a grid outage only the electrical consumers connected to the backup circuits are supplied with electricity from the sonnenProtect.

Both connection options can be implemented as a standalone power system using an electrical generator (e.g. PV system) (see Connecting AC microgrid (optional) [P. 79]).

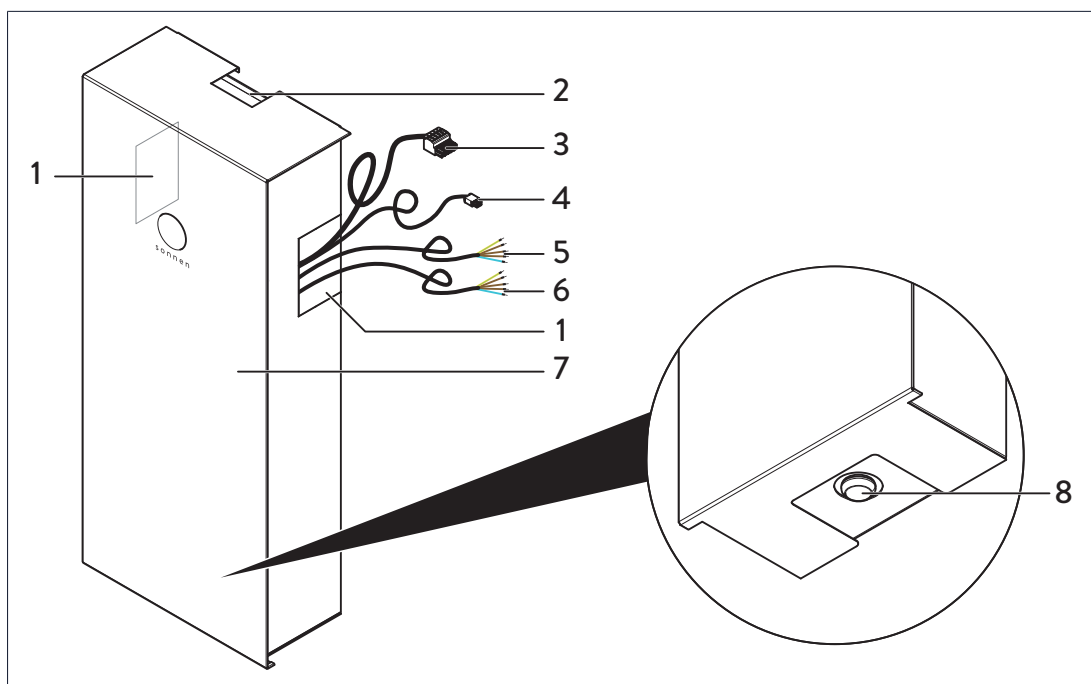
- ▶ Note that the following descriptions indicate which connection option they are valid for.



Adding a sonnenProtect to the storage system allows the system, once installed, to be able to operate both with backup power and in an isolated network. These are functionalities that must be specified when a storage system is registered with a *DNO*.

- ▶ Check whether the storage system data needs to be changed with the *DNO* or whether the system needs to be re-registered.

9.1 System components of the sonnenProtect



- | | | | |
|---|-------------------------------|---|---|
| 1 | Cutout for cable duct | 5 | IN line from building distributor* |
| 2 | Ventilation opening | 6 | OUT line to building circuit/backup circuit |
| 3 | IN line from storage system | 7 | sonnenProtect |
| 4 | Signal line to storage system | 8 | Illuminated switch |

*not pre-assembled

9.2 Illuminated switch function

- The illumination of the illuminated switch indicates that the electrical consumers connected to the sonnenProtect are causing excessive power consumption.
- Backup operation is stopped when an overload is detected until there is no more overload and the illuminated switch has been pressed for approx. 2 seconds.

When the illuminated switch lights up:

- ▶ Switch off electrical consumers or do not connect any electrical consumers if their power consumption exceeds the nominal power or (when switching on) the maximum power of the sonnenProtect.
 - ▶ Press the illuminated switch for approx. 2 seconds.
- ⇒ Backup operation has started successfully when the illuminated switch no longer lights up.



In certain situations it may take up to three minutes for backup operation to start after the illuminated switch is pressed.

- ▶ Further information for specific situations can be found in section Troubleshooting [P. 96].

9.3 Type plate

The type plate is located on the outer surface of the sonnenProtect. The type plate can be used to uniquely identify the sonnenProtect. The information on the type plate is required for the safe use of the system and for service matters.

The following information is specified on the type plate:

- Item designation
- Item number
- Technical data

A duplicate of the type plate for the sonnenProtect 8000 must be affixed by the installer to the storage system (see Attaching type label [P. 76]).

9.4 Additional parts required

- In **addition** to the materials specified in section Additional parts and tools required [P. 20], the following parts are required to assemble and install the sonnenProtect.
- The lines and circuit breakers required differ depending on the selected connection option and on whether this option is installed as an AC microgrid.

Lines, circuit breakers

Designation	Use	Specification
Connection option 1 (backup power supplied to the entire on-site connection)		
<i>Residual current device (RCD)</i>	Personal protection	<ul style="list-style-type: none"> • Fuse protection for on-site connection during backup operation. • Nominal differential current: max. 300 mA • Type depends on local grid conditions.
<i>Miniature circuit breaker (MCB)</i>	Fault protection for on-site connection	<ul style="list-style-type: none"> • Nominal current: max. 35 A
<i>Miniature circuit breaker (MCB)</i>	Fault protection for electrical generators (e.g. PV inverters) <i>(for AC microgrid only)</i>	<ul style="list-style-type: none"> • Observe the manufacturer's specifications.
Relay	Implements PV reduction when output > 8 kW <i>(for AC microgrid only)</i>	<ul style="list-style-type: none"> • Coil voltage: 230 V • 1 break contact. • e.g. manufacturer: Eltako, item designation: ER12-110-UC
Earth line	Earth connection for main earth bar	<ul style="list-style-type: none"> • Cable cross-section: 10 mm² (CU cross-section)
Plastic-sheathed cable	Connection of sonnenProtect to building mains	<ul style="list-style-type: none"> • Type: 5×10mm² or 5×16mm² • External diameter: 16–28 mm • Selection of type and length depends on local conditions
Plastic-sheathed cable	Connection of electrical generators (e.g. PV inverters) <i>(for AC microgrid only)</i>	<ul style="list-style-type: none"> • Observe the manufacturer's specifications.

Designation	Use	Specification
Connection option 2 (backup power supplied to separate backup circuits)		
<i>Residual current device (RCD)</i>	Personal protection	<ul style="list-style-type: none"> • Fuse protection for backup circuits during backup operation. • Nominal differential current: max. 300 mA • Type: depends on local grid conditions.
<i>Miniature circuit breaker (MCB)</i>	Fault protection for sonnenProtect	<ul style="list-style-type: none"> • Tripping characteristic: B • Nominal current: max. 32 A
<i>Miniature circuit breaker (MCB)</i>	Fault protection for electrical generators (e.g. PV inverters) <i>(for AC microgrid only)</i>	<ul style="list-style-type: none"> • Observe the manufacturer's specifications.
Relay	Implements PV reduction when output > 8 kW <i>(for AC microgrid only)</i>	<ul style="list-style-type: none"> • Coil voltage: 230 V • 1 break contact. • e.g. manufacturer: Eltako, item designation: ER12-110-UC
Earth line	Earth connection for main earth bar	<ul style="list-style-type: none"> • Cable cross-section: 10 mm² (CU cross-section)
Plastic-sheathed cable	Connection of sonnenProtect in backup circuit	<ul style="list-style-type: none"> • Type: 5×10mm² or 5×16mm² • External diameter: 16–28 mm • Selection of type and length depends on local conditions
Plastic-sheathed cable	Connection of electrical generators (e.g. PV inverters) <i>(for AC microgrid only)</i>	<ul style="list-style-type: none"> • Observe the manufacturer's specifications.
Additional electrical lines, circuit breakers and other components (e.g. distributor housing)	Creation of backup circuit(s)	<ul style="list-style-type: none"> • Depends on local conditions and the planned execution of the backup circuits.

Material	Quantity	Designation	Use
	4	Screws	<ul style="list-style-type: none"> • For securing the sonnenProtect to the wall. • Type and length adapted to the weight of the sonnenProtect and the properties of the wall.
	4	Washers	<ul style="list-style-type: none"> • For establishing contact between the screws and sonnenProtect.
	4	Wall plugs	<ul style="list-style-type: none"> • For anchoring the screws to the wall. Type and length adapted to suit the screws used.
		Cable duct	<ul style="list-style-type: none"> • For routing lines into the sonnenProtect. • Size: max. 90 × 60 mm; length individual.

9.5 Installing the sonnenProtect

- The sonnenProtect can be mounted to the left or right of the storage system or extension cabinet (if any).

Requirements for the installation location

- ▶ Observe the required ambient conditions (see Technical data [P. 99]).

Observing minimum and maximum distances

- ▶ Install the sonnenProtect at the same level as the top edge of the storage system, if possible.

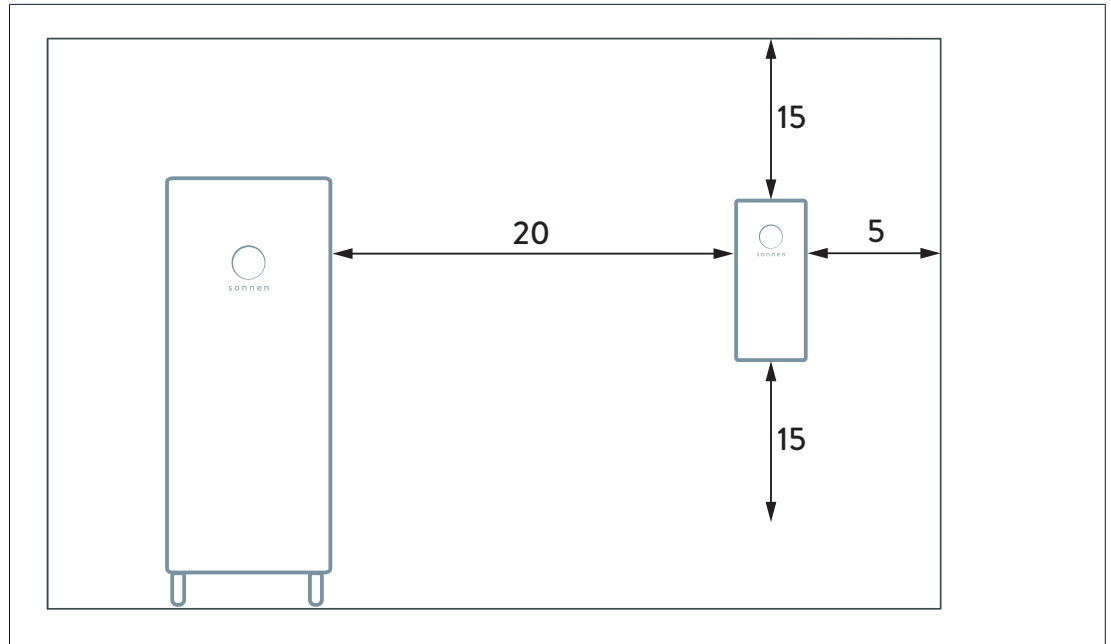


Illustration 17: Minimum distances (figure not true to scale - all measurements in centimetres)

- ▶ Observe the **minimum distances** to the storage system and to neighbouring objects, walls and ceilings.
- ▶ Ensure that there is not too great a distance between the sonnenProtect and storage system so that the length of the pre-mounted lines is sufficient (approx. 5 m). In doing so, also observe the required line lengths for routing the lines in a cable duct.

Removing the cover

- ▶ Remove the cover of the sonnenProtect.

Drilling the holes

- ▶ Mark out the four holes on the back of the sonnenProtect on the wall.
- ▶ Drill the holes with a suitable diameter for the selected mounting material.
- ▶ Insert suitable wall plugs in the holes.

Mounting the sonnenProtect

- ▶ Use suitable screws and washers to secure the sonnenProtect to the wall.

9.6 Connecting the sonnenProtect

DANGER

Electrical work on the storage system and electrical distributor

Danger to life due to electrocution!

- ▶ Switch off the storage system to electrically isolate it.
- ▶ Disconnect the relevant electrical circuits.
- ▶ Secure against anyone switching on the device again.
- ▶ Wait five minutes so the capacitors can discharge.
- ▶ Check that the device is disconnected from the power supply.
- ▶ Only authorised electricians are permitted to carry out electrical work.

DANGER

Touch voltage in the event of a fault during backup operation

Danger to life due to electrocution!

- ▶ A selective *residual current device (RCD)* with a nominal differential current of 300 mA must be installed downstream of the sonnenProtect output. Nominal differential currents of 100 mA or 30 mA are also possible. The type of RCD must be selected depending upon the local conditions of the network.



Observe the sealing area for pre-mounted cable glands on the sonnenProtect when connecting the lines (sealing area: 16–28 mm).

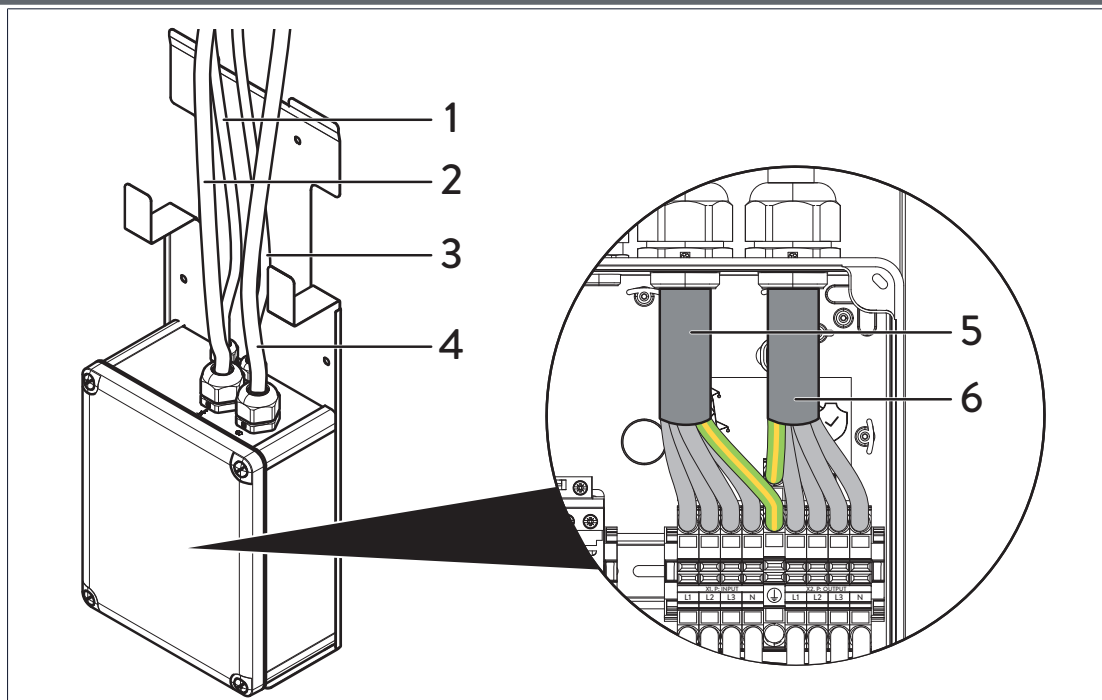


Illustration 18: Overview of lines and connections on the sonnenProtect

- 1 Signal line from storage system (Protect)
- 2 AC line from building mains (IN)
- 3 AC line from storage system (AC Protect)

- 4 AC line to building mains or backup circuit (OUT)
- 5 AC line connection from building mains (IN)
- 6 AC line connection to building mains or backup circuit (OUT)

Recommended order for the electrical installation

- ▶ Carry out the steps in the following order to ensure the smooth electrical installation of the sonnenProtect. Note that there are different procedures depending on the connection option used.
- 1. **For connection option 1:** Note section Electrical consumers in backup operation [P. 69] before starting to install the sonnenProtect.
- 2. **For variation 2:** Read sections Electrical consumers in backup operation [P. 69] and Implementing the backup circuit(s) [P. 70] and, together with the operator, define how the backup circuit or circuits are to be set up. The on-site circumstances must always be taken into account during this process, because with electrical installations where there are few separate circuits, it can be difficult to integrate all of the desired electrical consumers in the backup circuit or to integrate only the consumers which should be supplied with backup power.
- 3. Carry out the necessary revision work on the distributor in the building. It is essential to ensure that all electrical lines meet local and national regulations in terms of their dimensioning and that they are suitably fuse-protected (e.g. with a *miniature circuit breaker (MCB)*).
- 4. If the circuits are installed accordingly, the sonnenProtect can be connected and the necessary additions can be made to the storage system (see the following sections).
- 5. When all steps have been implemented and the electrical installation is complete, continue with section Commissioning the sonnenProtect [P. 77].

9.6.1 Electrical consumers in backup operation

Prior to installation, the following points must be explained to or clarified with the operator by the electrician performing the installation:

- Backup operation does not offer the same output as grid operation.
- Electrical consumers can sometimes not be operated in backup operation (e.g. due to high switch-on currents).
- **How much capacity of the storage system should be reserved as an backup buffer?** The following example, in which a utility room and other important functions within a single-family home are to be supplied with power, can be used to determine this. This example is based on a grid outage lasting one hour (the individual power consumption values are estimated values).

Electrical consumer	Power consumption [kW]	Active during grid outage [h]	Electrical work [kWh]
Lighting	0.5	1	0.5
Freezer	0.6	0.25	0.15
Heating	0.7	0.25	0.175
Router, telephone	0.01	1	0.01
Refrigerator	0.6	0.25	0.15

Electrical consumer	Power consumption [kW]	Active during grid outage [h]	Electrical work [kWh]
Alarm system, grid-connected smoke detector	0.05	1	0.05
Total			1.04

In this example, the total power requirement for a grid outage lasting one hour is approx. 1.1 kWh, which must be covered in order to maintain the function of all of the listed consumers.

- ▶ Use this calculation to determine with the operator which emergency buffer should be set, taking the total capacity of the storage system and other requirements (e.g. from sonnenFlat contract) into account (see Setting the backup buffer [P. 77]).
- If connection option 2 is used, not all electrical consumers are supplied with power in backup operation. **Which electrical consumers should be supplied with power in backup operation?** The current paths in the building network must be installed in such a way that the consumers which are relevant in the event of a grid outage are connected to an independent circuit (backup circuit). The electrical consumers which are crucial for the electrical supply to the building in backup operation are relevant here.

9.6.2 Implementing the backup circuit(s)



This section refers to the installation of backup circuits for **connection option 2**.

Basics for the formation of the backup circuits:

- For systems with backup power capability, the power distribution must be separated into backup power authorised and not backup power authorised parts.
- All components within the backup power authorised part must be clearly identified by lettering (or graphic symbols).
- ▶ **At any time observe further local and national requirements and guidelines regarding backup power supply!**

When undertaking electrical work on the distributor in the building, the following must be taken into account, among other things:

1. How is the wiring set up to the desired backup consumers?
 - Is independent wiring already in place?
 - Do the existing circuits include electrical consumers that should not be supplied with power in backup operation?
 - Can the existing wiring be split?
 - If the circuits cannot be split, the connected wattage of the consumers which should not be supplied with backup power needs to be taken into account. If loads are too high, the circuit breaker for the sonnenProtect will trip, and then none of the electrical consumers in the backup circuit will be supplied with power.
2. Can the electrical distributor in the building be adapted to suit the new circumstances?
 - Is there enough space to install the necessary circuit breakers and other components in the distributor?

9.6.3 Positioning components in the electrical distributor

The following components must be installed in the electrical distributor for the sonnenProtect:

- **Miniature circuit breaker (MCB)**

A miniature circuit breaker (max. 35 A, depending on connection option) must be installed *on the input line* (IN, see Overview lines [P. 68]) of the sonnenProtect.

- **Residual current device (RCD)**

A *residual current device (RCD)* must be installed *at the output* of the sonnenProtect. This RCD protects against electric shock in the backup circuit. The *residual current device (RCD)* must meet the relevant country-specific regulations and local grid conditions.

9.6.4 Wiring the sonnenProtect

- ▶ Connect the sonnenProtect and other components in the electrical distributor as shown in the following circuit diagram overviews (based on selected connection option and type of power measurement).
- The overview circuit diagrams each show the installation of a sonnenBatterie 10 performance with a sonnenProtect 8000 **without AC Microgrid** for **three-phase building mains**.
- ▶ For installation with **AC microgrid**, see section Connecting an AC microgrid [P. 79].
- The grey areas each mark the **installation of the sonnenProtect**.

Measuring power when using a storage system with sonnenProtect:

- The set-up shown in the circuit diagram overview [P. 72] for **connection option 1** follows the **consumption measurement** concept (standard measurement concept).

There are two ways of measuring power when implementing **connection option 2**:

- If **one power meter** (included in scope of delivery) is installed, the building consumption is not explicitly recorded as consumption and shown on the internet portal during backup operation. The function of the sonnenProtect is not affected by this.
 - The set-up in the circuit diagram overview [P. 73] follows the **consumption measurement** concept.
- If **two power meters** (one additional power meter to the one already included in the scope of delivery) are installed, the consumption is precisely recorded and shown on the internet portal even during backup operation. The second power meter and the associated clamp-on current transformer can be purchased from sonnen; see Optional accessories [P. 19].
 - The set-up in the circuit diagram overview [P. 74] follows the **consumption measurement** concept.

NOTICE! In the circuit diagram overviews, pay special attention to the connection for the voltage measurement of the power meters and the position of the clamp-on current transformer.

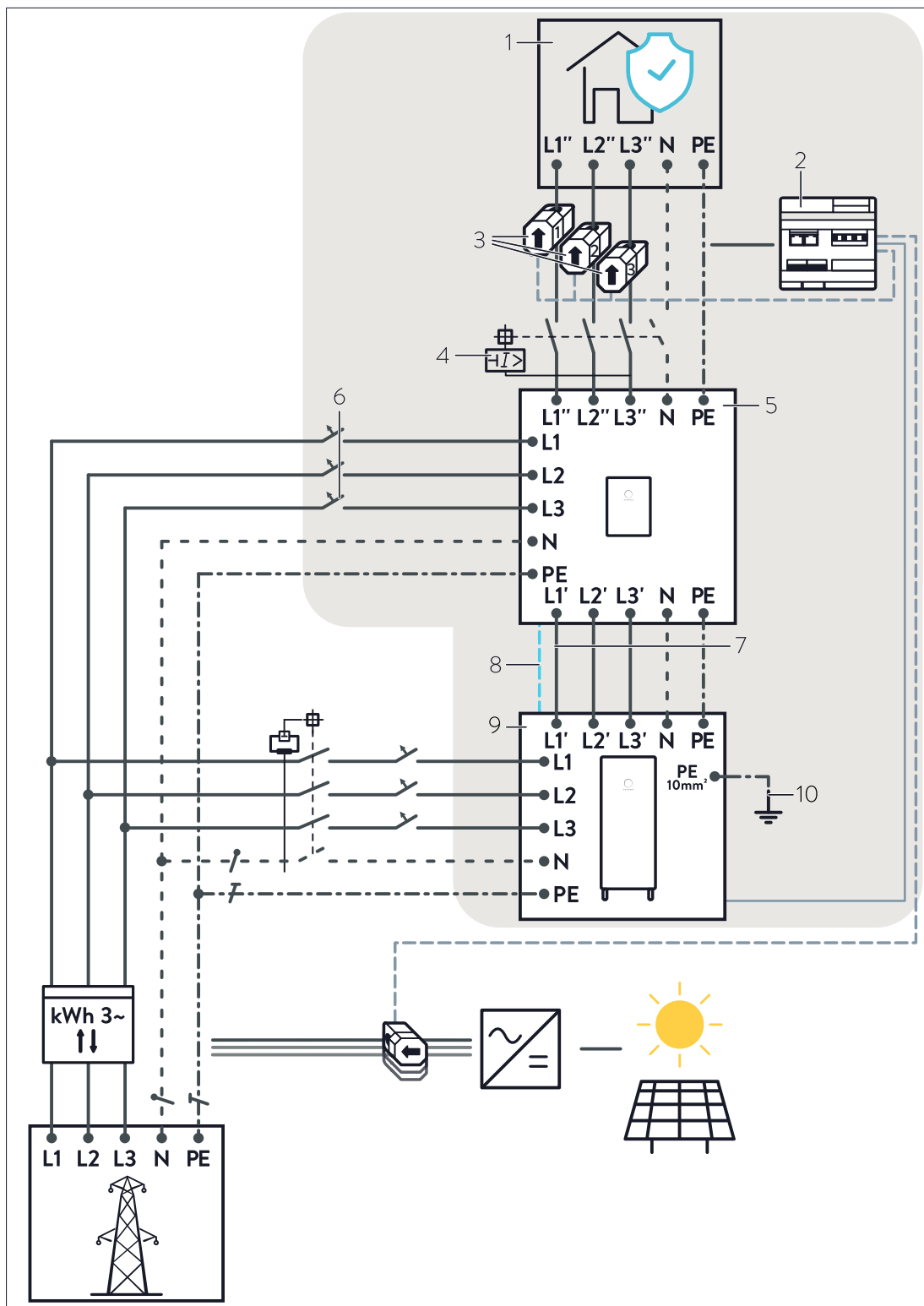


Illustration 19: Circuit diagram overview – sonnenBatterie 10 performance with sonnenProtect 8000 - Connection option 1

- | | | | |
|---|-------------------------------|----|--|
| 1 | Consumers in building | 6 | Miniature circuit breaker (MCB) 35 A max. |
| 2 | Power meter WM271 | 7 | AC line from storage system (AC Protect) |
| 3 | CT Consumption | 8 | Signal line from storage system (Protect) |
| 4 | Residual current device (RCD) | 9 | Storage system |
| 5 | sonnenProtect | 10 | Earthing connection |

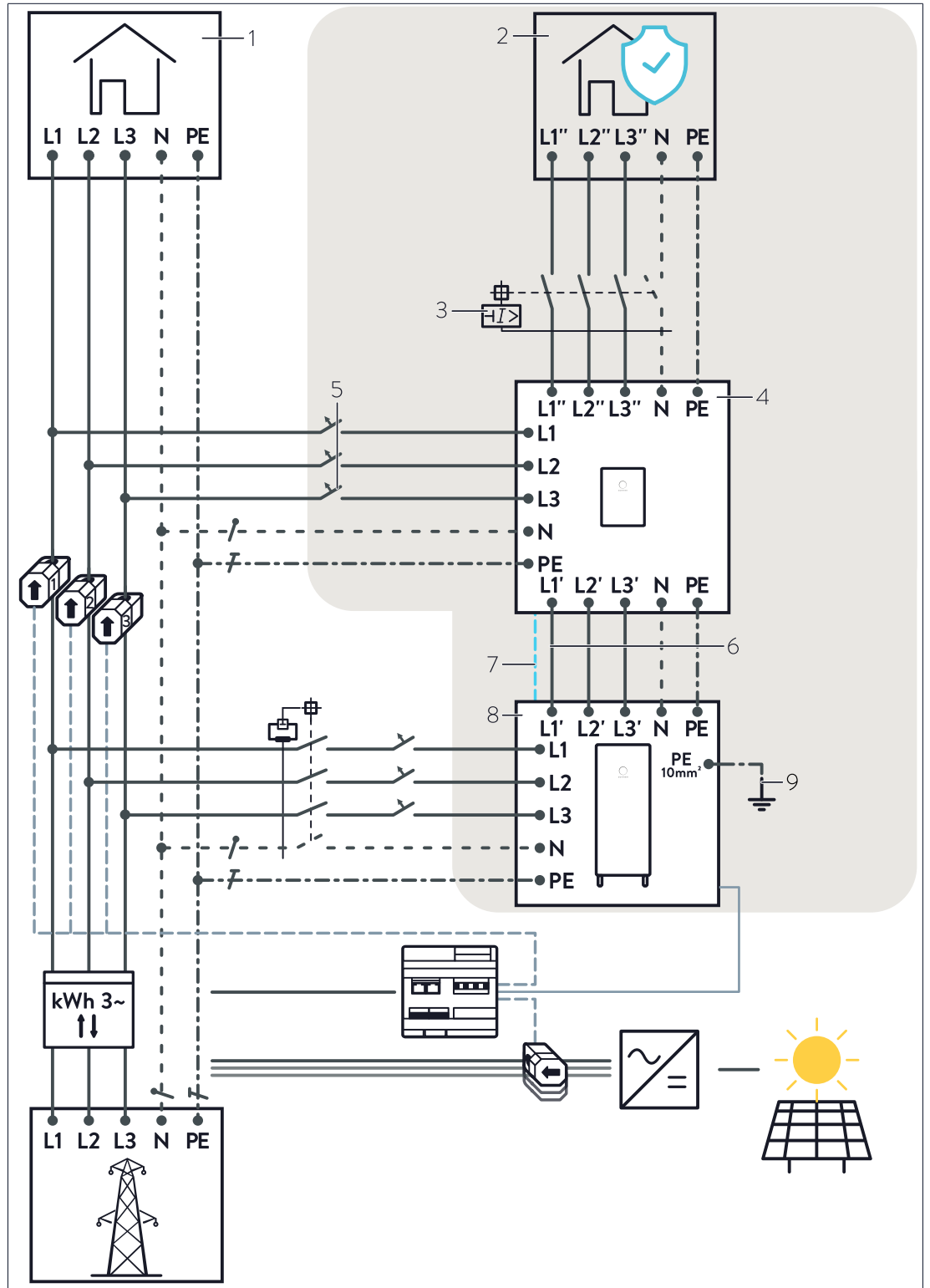


Illustration 20: Circuit diagram overview – sonnenBatterie 10 performance with sonnenProtect 8000 - Connection option 2 with one power meter (Standard scope of delivery)

- | | | | |
|---|---------------------------------|---|--|
| 1 | Consumers in building | 6 | AC line from storage system (AC Protect) |
| 2 | Consumers in backup circuit | 7 | Signal line from storage system (Protect) |
| 3 | Residual current device (RCD) | 8 | Storage system |
| 4 | sonnenProtect | 9 | Earthing connection |
| 5 | Miniature circuit breaker (MCB) | | |

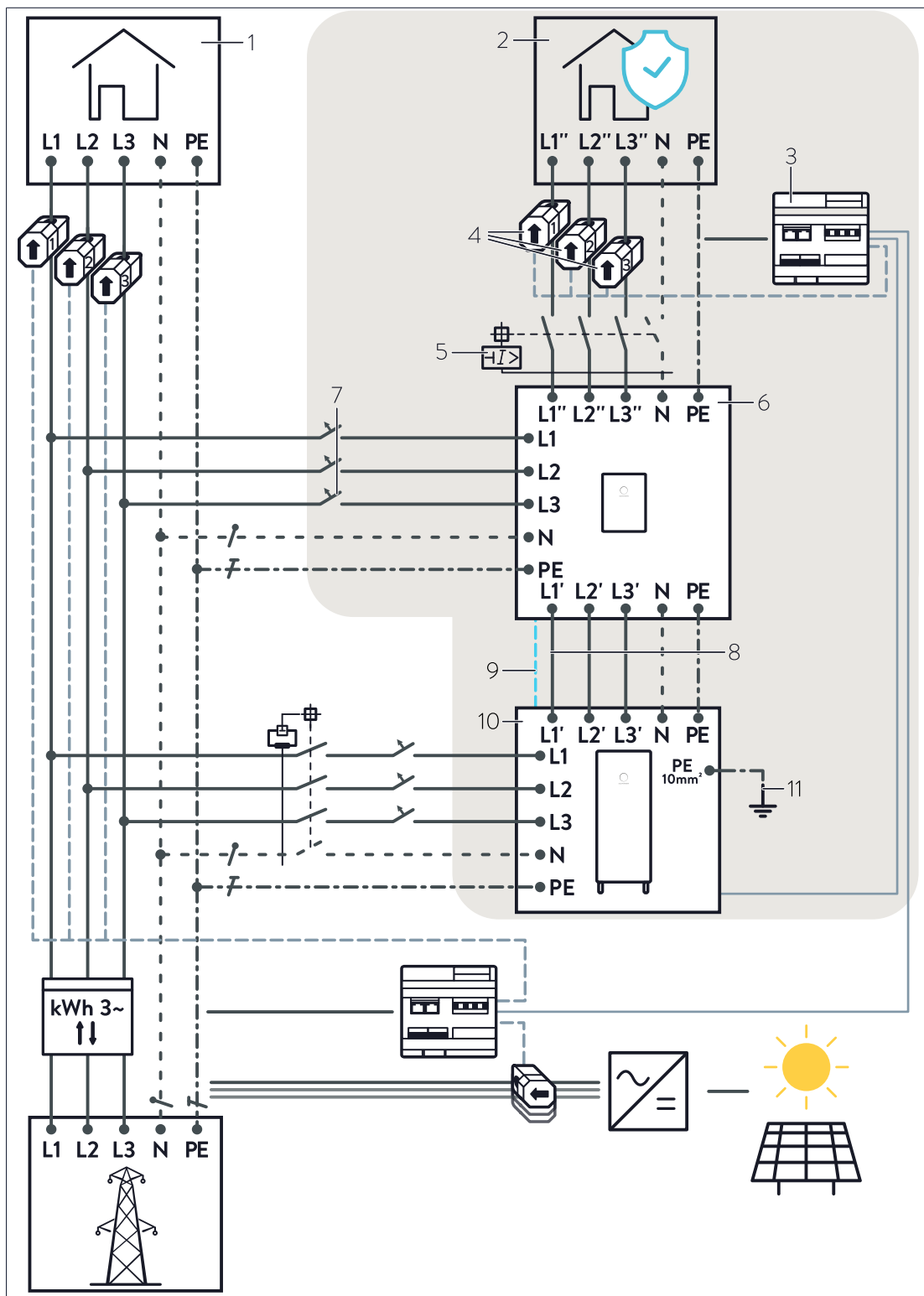
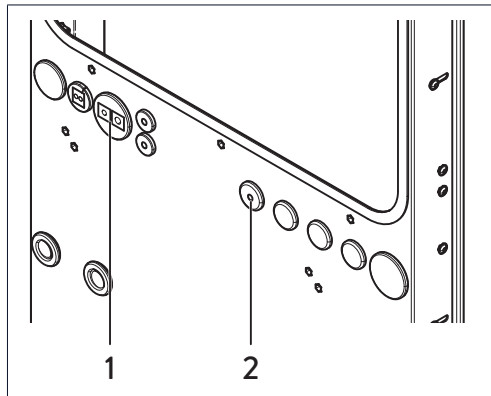


Illustration 21: Circuit diagram overview - sonnenBatterie 10 performance with sonnenProtect 8000 - Connection option 2 with two power meters

- | | | | |
|---|-------------------------------|----|--|
| 1 | Consumers in building | 7 | Miniature circuit breaker (MCB) |
| 2 | Consumers in backup circuit | 8 | AC line from storage system (AC Protect) |
| 3 | Power meter WM271 | 9 | Signal line from storage system (Protect) |
| 4 | CT Consumption | 10 | Storage system |
| 5 | Residual current device (RCD) | 11 | Earthing connection |
| 6 | sonnenProtect | | |

9.6.4.1 Connecting the lines to the storage system

Routing lines on the storage system



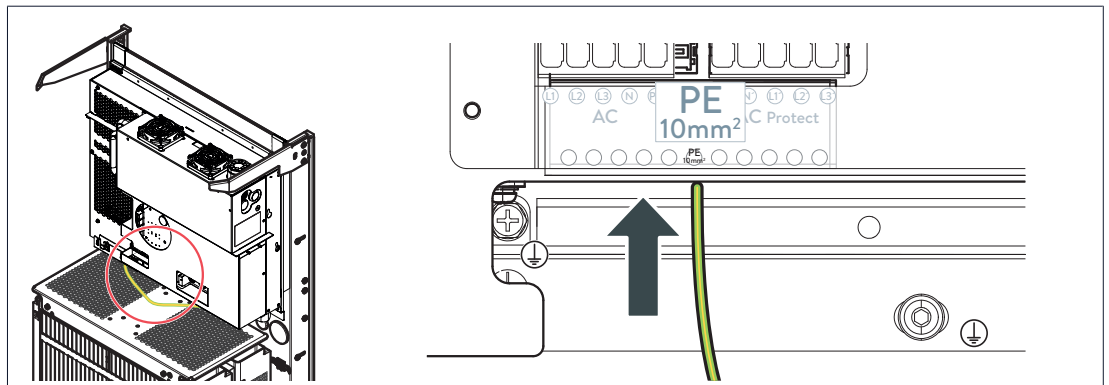
No.	Type	Use
1	Cable entry plate Ø 50 (from scope of delivery for sonnenProtect 8000)	Left: sonnenProtect signal line Right: sonnenProtect AC line
2	Dummy plug Ø 27.8 (already mounted; from storage system accessory kit)	Earthing line 10 mm ²



Correct assembly must be observed when inserting the grommets into the cable entry plates. The flat side of the grommet must always be facing the flat side in the cutout of the cable entry plate.

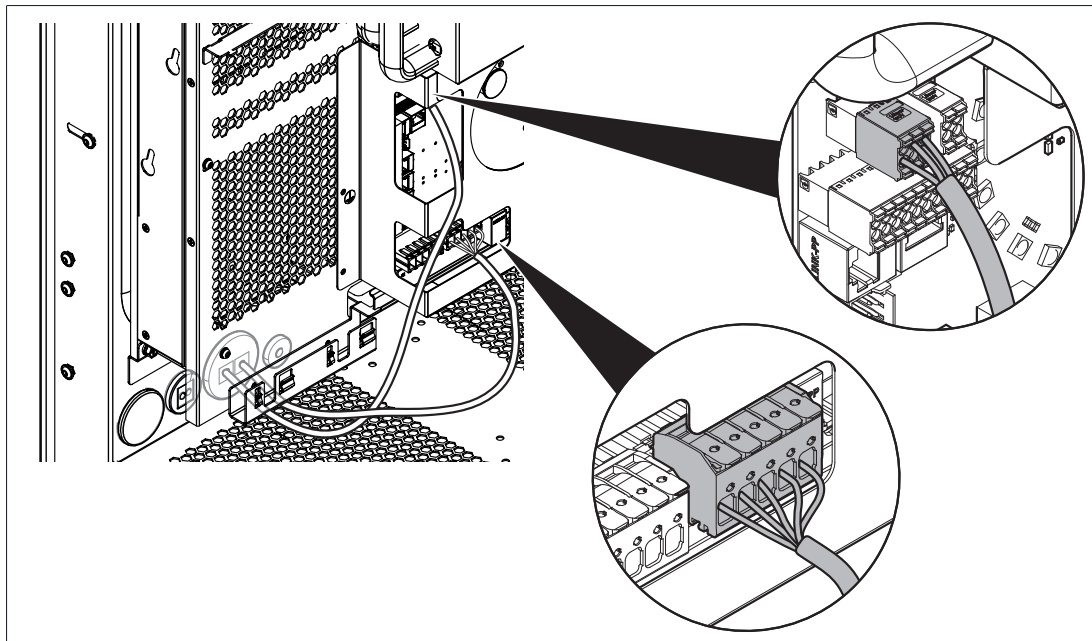
Connecting the earthing line

- An earthing conductor with a cross-section of 10 mm² (CU cross-section) must be installed between the storage system and the main earthing terminal.



- ▶ Connect the earthing line to the central unit of the storage system (**PE 10 mm²**).
- ▶ Connect the earthing line to the main earthing terminal of the building.

Connecting the signal line and AC line



- ▶ Connect the signal line to the central unit of the storage system (**Protect**) using the pre-assembled plug.
- ▶ Connect the AC line to the central unit (**AC Protect**) using the pre-assembled plug.

9.6.5 Attaching safety label to the distributor

DANGER

Electrical installation remains live in event of grid outage

Danger to life due to electrocution!

To warn electricians:

- ▶ Attach the safety label shown below (included in scope of delivery) to the relevant electrical distributor.

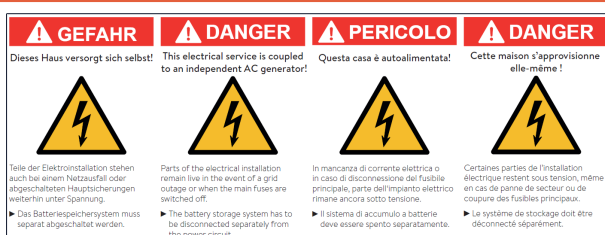


Illustration 22: Label for attachment to the electrical distributor

9.6.6 Attaching type label to storage system



As the sonnenProtect 8000 constitutes an add-on to the storage system, a duplicate of the type plate for the sonnenProtect must be affixed to the storage system.

- ▶ Affix the type plate for the sonnenProtect 8000, which is included in the scope of delivery, to the cover of the storage system below the inspection window.

9.7 Commissioning the sonnenProtect

Closing the sonnenProtect

- ▶ Attach the cover to the sonnenProtect. To do so, hang the cover on the top side of the sonnenProtect.

Switching on the sonnenProtect

- ▶ Switch on the grid voltage to the sonnenProtect.
- The sonnenProtect becomes active as soon as the storage system is properly commissioned (see Carrying out first-time commissioning [P. 90]) and switched on (see Switching the storage system on [P. 90]).

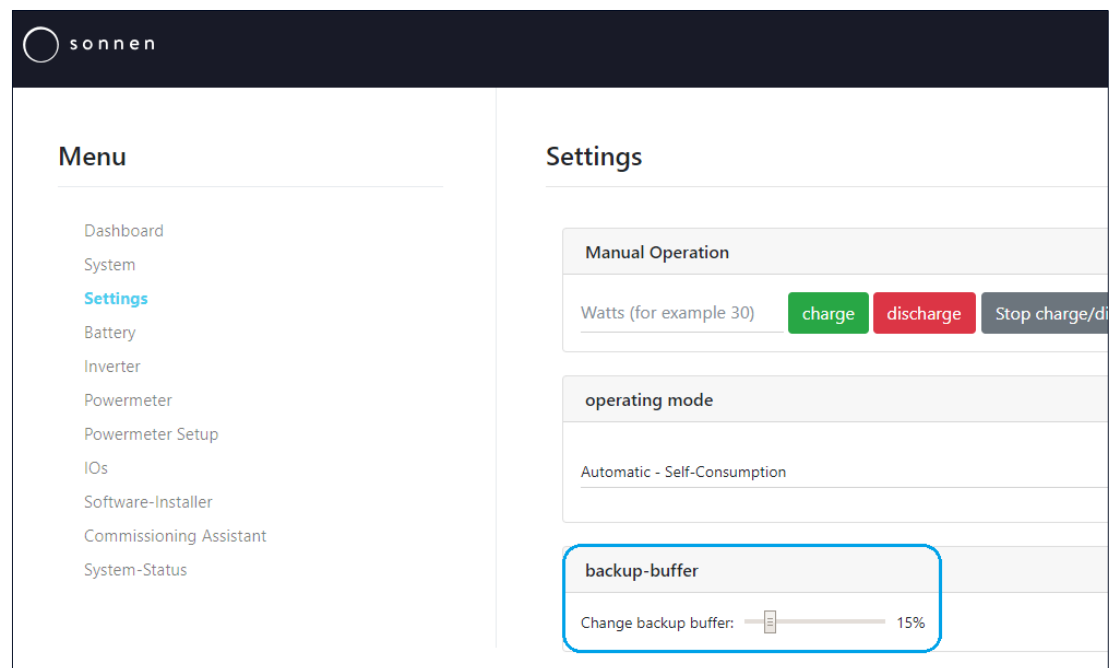
Setting up the sonnenProtect

- The sonnenProtect is activated using the commissioning assistant.
- ▶ Run through the CA (see Commissioning assistant [P. 90]) and activate the sonnenProtect 8000 at the appropriate point. The backup buffer can also be set.

9.7.1 Setting the backup buffer

Proceed as follows to set what percentage of the capacity of the storage system should be available for the sonnenProtect in the event of a grid outage.

- ▶ On the web interface of the storage system, navigate to the Settings page.
- ▶ Change the percentage for backup-buffer to a desired value.



9.7.2 Testing backup/standalone operation



Backup operation cannot be tested if the storage system performs a full charge after initial commissioning. The full charge can be stopped to perform the test and postponed to a later time (on the Dashboard page of the storage system web interface).

1. Simulate a grid outage

- ▶ Switch the main fuses in the building off, so that the sonnenProtect and storage system are no longer connected to the public electricity grid. The storage system switches to backup operation after switching off the fuses.

2. Activate a consumer

- ▶ Activate an electrical consumer connected to one of the three phases in the building (for connection option 1) or to the backup circuit (for connection option 2).

3. Switch on the PV inverter (with AC microgrid)

- ▶ Check whether the PV inverter switches on after a short time.

4. Test the backup supply

Backup/standalone operation (with AC microgrid) is working properly when the activated consumers are supplied with electrical power.

If the backup operation does not work:

1. Check the electrical wiring (see Connecting the sonnenProtect [P. 68]).
2. Check if there is a malfunction which is mentioned in the Troubleshooting [P. 96] section and follow the suggestions for rectification.
3. Contact the sonnen service team if the problem cannot be resolved.

9.8 Decommissioning the sonnenProtect

Switching off the sonnenProtect

To switch off the sonnenProtect manually, proceed as follows: In order to be able to work on the sonnenProtect safely it must be disconnected from the power supply (see next section).

- ▶ Disconnect the storage system from the power supply [P. 94].

Disconnecting the sonnenProtect from the power supply

1. Disconnect the storage system from the power supply [P. 94].
2. Switch off the miniature circuit breaker in the mains line for the sonnenProtect and in the PV inverter supply line (with AC microgrid).
3. Take steps to ensure that these switches cannot be switched on again.
4. Carefully check that there is no voltage inside the sonnenProtect.

9.9 Connecting AC microgrid (optional)

When certain prerequisites are met, the **storage system with sonnenProtect** can form an ‘off-the-grid’ standalone power system together with an external electrical generator. The PV inverter of a PV system is used in the following example as the external electrical generator.

In standalone operation, electrical power can be produced by the PV inverter off the grid, then stored in the battery modules of the storage system and provided to the building via sonnenProtect. The batteries are charged and discharged based on the requirements of the connected electrical consumers.

Automatic stop and start of standalone operation

The storage system continues to provide electrical power to the consumers via sonnenProtect until a minimum battery charging status is reached and there is no (or no sufficient) PV generation. From this point on, no further discharge is allowed, and the backup operation stops completely.

The storage system tries to restore standalone operation at predefined restart times by checking whether there is sufficient PV production to supply the active electrical consumers with power.

To increase the possibility of standalone operation restarting, there should be as few electrical consumers in the building at the restart time(s) as possible. Therefore:

- ▶ Do not switch on any electrical consumers with high power consumption (e.g. heating, lighting, pumps, compressors).

Overload protection through frequency shift

To ensure that the battery modules are not overloaded by the PV system power production in standalone operation, the storage system inverter increases the frequency from 50 Hz to 52.2 Hz when the state of charge (SOC) reaches a level greater than or equal to 91%.

The PV inverter detects this frequency increase and stops production and therefore charging of the storage system battery modules. The electrical consumers in the building are supplied with power from the storage system battery modules from this point in time.

The frequency is reset to 50 Hz and production starts up again when the state of charge of the battery modules drops below 85% and standalone operation is active again.

9.9.1 PV system as an electrical generator

9.9.1.1 Requirements for the PV inverter



The PV inverter should have a maximum output of 8 kW or 7 kW (with sonnenBatterie 10p/11). If the output is higher, a power limit must be implemented in standalone operation, e.g. using a relay; see Power reduction for PV inverter with output > 8 kW [P. 80].

PV inverter with up to 8 kW output:

- Meets currently applicable grid codes (VDE-AR-N 4105, Technical and organisation rules for generators (TOR-Erzeuger))
- Mains connection detection via mains frequency shift
- No mains impedance measurement (these types of PV inverters are not compatible)

Additional requirements for PV inverter with 8–25 kW output:

- Digital inputs for power reduction
- Check of renewable energy surcharge requirement / meter concept. Meter concept: sonnenProtect sits between PV production meter and feed-in point.

9.9.1.2 Connecting the PV inverter

The PV inverter is connected as an electrical generator in the building's network (with connection option 1) or in the backup circuit (with connection option 2); see Wiring an AC microgrid [P. 83].

- ▶ Connect the PV inverter and a *miniature circuit breaker (MCB)* in accordance with the manufacturer's specifications.

9.9.1.3 Power reduction for PV inverter with output > 8 kW

To ensure the correct function of the AC microgrid, the AC output of the PV inverter must not exceed the power input of the storage system (7 kW for sB10p/11, 8 kW for sB10p/22 or higher). This means that the power output of the PV inverter must be adapted to the nominal power of the storage system.

If the output of the PV inverter is greater than the nominal power of the storage system, the output of the PV inverter must be statically reduced during standalone operation. A switch relay with a break contact is used for this purpose. The PV inverter must also have a suitable interface for power control (e.g. an interface for a ripple control receiver).

Tools:

- 1× relay, e.g. manufacturer: Eltako, item designation: ER12-110-UC

Function

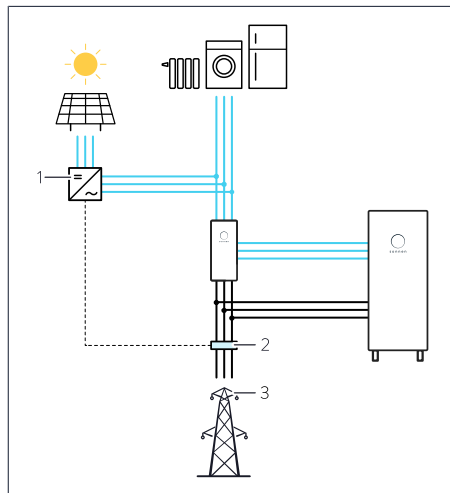


Illustration 23: AC microgrid concept with power reduction (for sonnenProtect with connection option 1)

In grid operation there is 230 V on the relay (2), the break contact opens and there is no signal to reduce power on the PV inverter (1).

If the public electricity grid (3) fails, the 230 V drops off on the relay and the break contact closes the connection to the PV inverter (1). This limits the PV inverter to the set power output.

Important note: When the relay taps the grid voltage, it must be ensured that the potential from the grid connection point is there. The voltage must not be tapped from the distribution board or backup circuits.

Option 1: PV power reduction via storage system

If the storage system is already connected to the PV inverter (for power limit at 70%), the signal line for the corresponding PV reduction level can be connected in parallel via the break contact on the relay.

- ▶ Select the contact on the PV inverter, which is connected to the right PV reduction level, for connecting the relay.
- ▶ Connect the relay in parallel to the PV reduction inputs already connected.

If the reduction levels are set in accordance with sonnen specifications (see Implementing PV reduction [P. 55]), the PV output is reduced based on the following levels:

Level	Maximum active power (at 70% limit)
0	100% of PV system power
1	Feed-in limit of PV system in % plus 10 (80%)
2	Feed-in limit of PV system in % minus 15 (55%)
3	0%

Option 2: PV power reduction with fixed reduction levels

The storage system is not connected to the PV inverter for PV reduction. An external data logger / wireless ripple control receiver limits the power to 70% via PV reduction contacts (permanently set levels on the inverter).

First you need to determine which reduction levels correspond to the reduction contacts. It is a good idea to use the reduction contact that permits the inverter to have a power output of up to 8 kW but ensures that 8 kW is not exceeded.

Example

- Inverter power output: 12 kW
- External data logger with four contacts / reduction levels:
 - Reduction level 1: 90% = 10.8 kW
 - Reduction level 2: 75% = 9 kW
 - Reduction level 3: 65% = 7.8 kW
 - Reduction level 4: 50% = 6 kW

In this case the break contacts of the relay should be connected to contact 3 of the inverter because reduction levels 1 and 2 do not reduce the power output enough and reduction level 4 reduces the power output too much.

Option 3: PV power reduction with freely programmable reduction levels

The storage system is not connected to the PV inverter for PV reduction.

If the PV inverter has a free reduction contact and this contact is freely programmable, this contact can be used for PV reduction. To this end the potential-free break contacts of the relay are connected to the free input on the PV inverter. Any power value can then be set as a percentage on the PV inverter.

Example

If the PV inverter has a power output of 12 kW, the reduction contact can be set to 66%. The PV inverter then feeds in a maximum of 7.920 W in standalone operation.

9.9.2 Wiring an AC microgrid

- ▶ Connect the sonnenProtect and other components in the electrical distributor as shown in the following circuit diagram overviews (based on selected connection option and type of power measurement).
- The circuit diagram overviews each show the installation of a sonnenBatterie 10 performance with a **sonnenProtect 8000 with AC microgrid** for **three-phase building mains**.
- The power measurement follows the **consumption measurement** concept. In the circuit diagram overview for connection option 1 [P. 84], only **one electrical generator** (PV system) is connected. In the circuit diagram overview for connection option 2 [P. 85], production is measured for **two electrical generators** (PV systems) using **two power meters**.

Measuring power when using a storage system with sonnenProtect and AC microgrid:

- The connection for the voltage measurement on the power meter, which measures the energy flows in standalone operation, must be connected so that it is supplied with voltage even in the event of a grid outage.
- If there are multiple generator or consumer paths, another power meter must be installed for measuring the power, as no more than two inverter interfaces (and therefore measurement points) can be recorded per power meter.
- The consumption measurement concept is recommended as standard for measuring power with a sonnenProtect with AC microgrid.



Further information on power measurement and the power meter can be found in the power meter instructions⁷ (English). These instructions explain, among other things, the different measurement concepts and how to use multiple power meters.

⁷ document number: 401

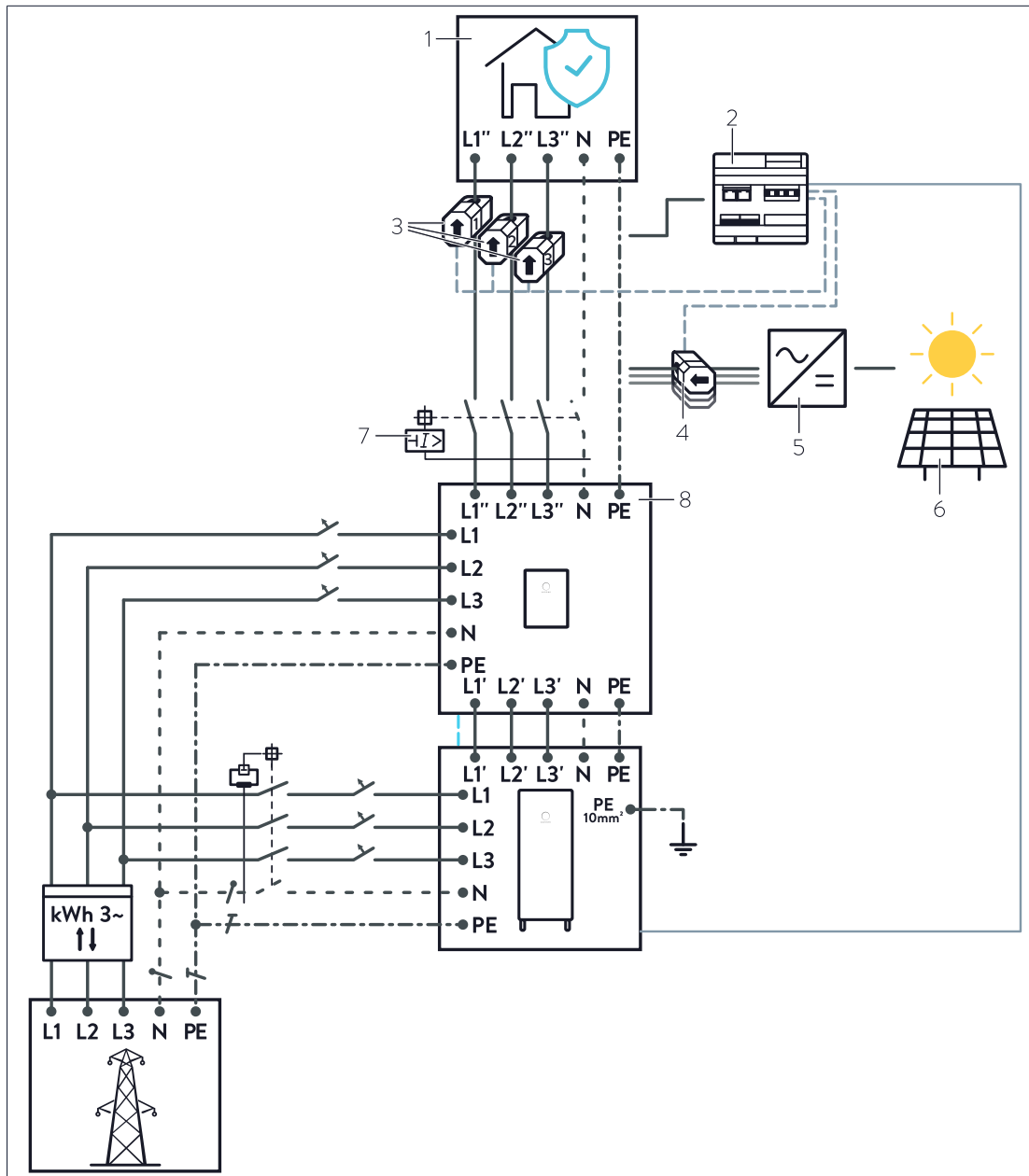


Illustration 24: Circuit diagram overview - sonnenBatterie 10 performance with sonnenProtect 8000 - Connection option 1 with AC microgrid

- 1 Consumers in building
- 2 Power meter WM271
- 3 CT for consumption (L1, L2, L3)
- 4 1 or 3 CT for production (depending on pv inverter)
- 5 PV inverter (1-phase or 3-phase, max. 25 kW)
- 6 PV system
- 7 RCD
- 8 sonnenProtect

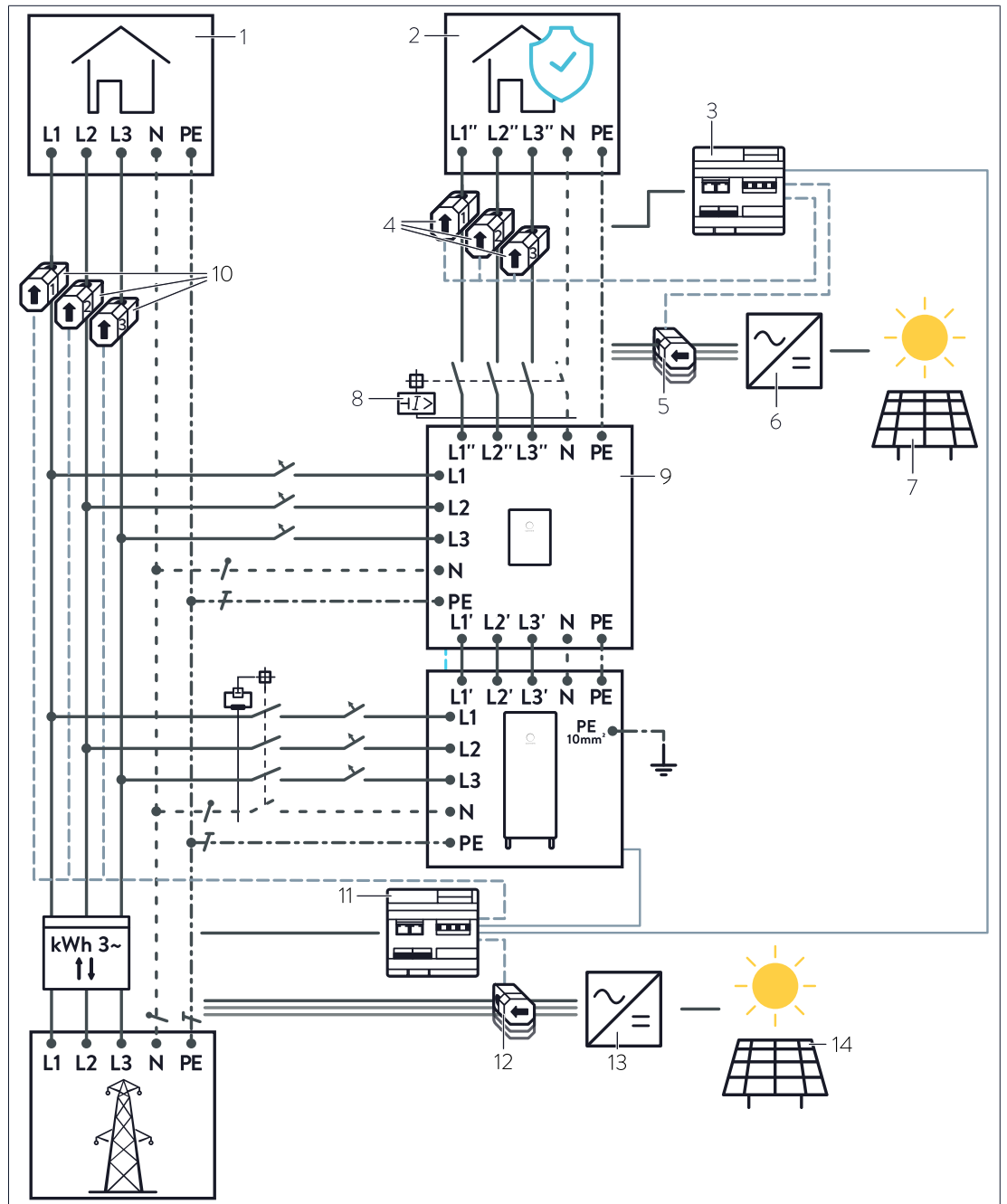
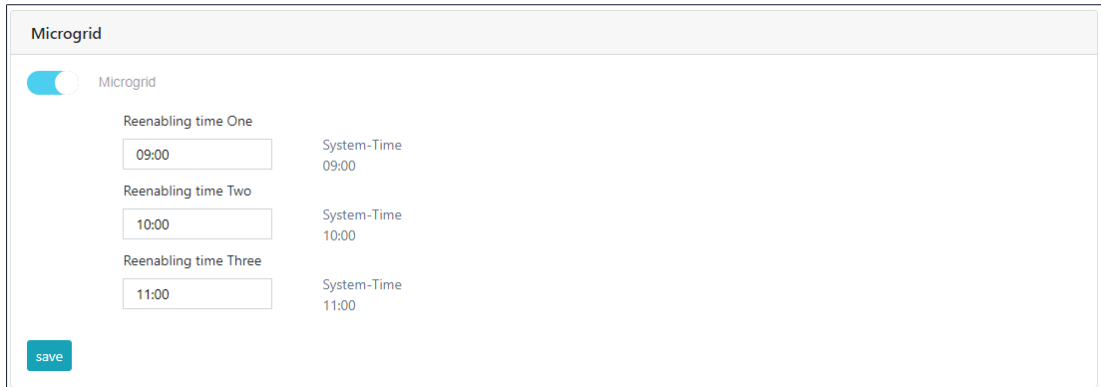


Illustration 25: Circuit diagram overview - sonnenBatterie 10 performance with sonnenProtect 8000 - Connection option 2 with AC microgrid

- | | | | |
|---|---|----|---|
| 1 | Consumers in building | 7 | PV system AC microgrid |
| 2 | Consumers in backup circuit | 8 | RCD |
| 3 | Power meter AC microgrid | 9 | sonnenProtect |
| 4 | CT for consumption in backup circuit (L1, L2, L3) | 10 | CT for consumption (L1, L2, L3) |
| 5 | 1 or 3 CT for production (depending on pv inverter) | 11 | Power meter WM271 |
| 6 | PV inverter AC microgrid (1-phase or 3-phase, max. 25 kW) | 12 | 1 or 3 CT for production (depending on pv inverter) |
| | | 13 | PV inverter (1-phase or 3-phase) |
| | | 14 | PV system |

9.9.3 Setting up an AC microgrid

- Standalone operation can be activated when setting up the sonnenProtect (see Commissioning the sonnenProtect [P. 77]).



Reenabling time	System-Time
09:00	09:00
10:00	10:00
11:00	11:00

- ▶ Activate the Microgrid.

The Reenabling time determines the times at which the storage system tries to restore standalone operation using PV system production after standalone operation has been stopped because there was no PV production and the batteries had reached their minimum state of charge.

- ▶ Define the Reenabling time. In doing so, consider the PV system setup (e.g. its orientation, shading, etc.) and the PV production to be expected as a result.

9.9.4 Testing standalone operation

- ▶ Perform the steps described in section Testing backup/standalone operation [P. 78] to test backup operation with AC microgrid.

10 Completing installation

10.1 Filling out the type plate

Tools:

- Permanent marker

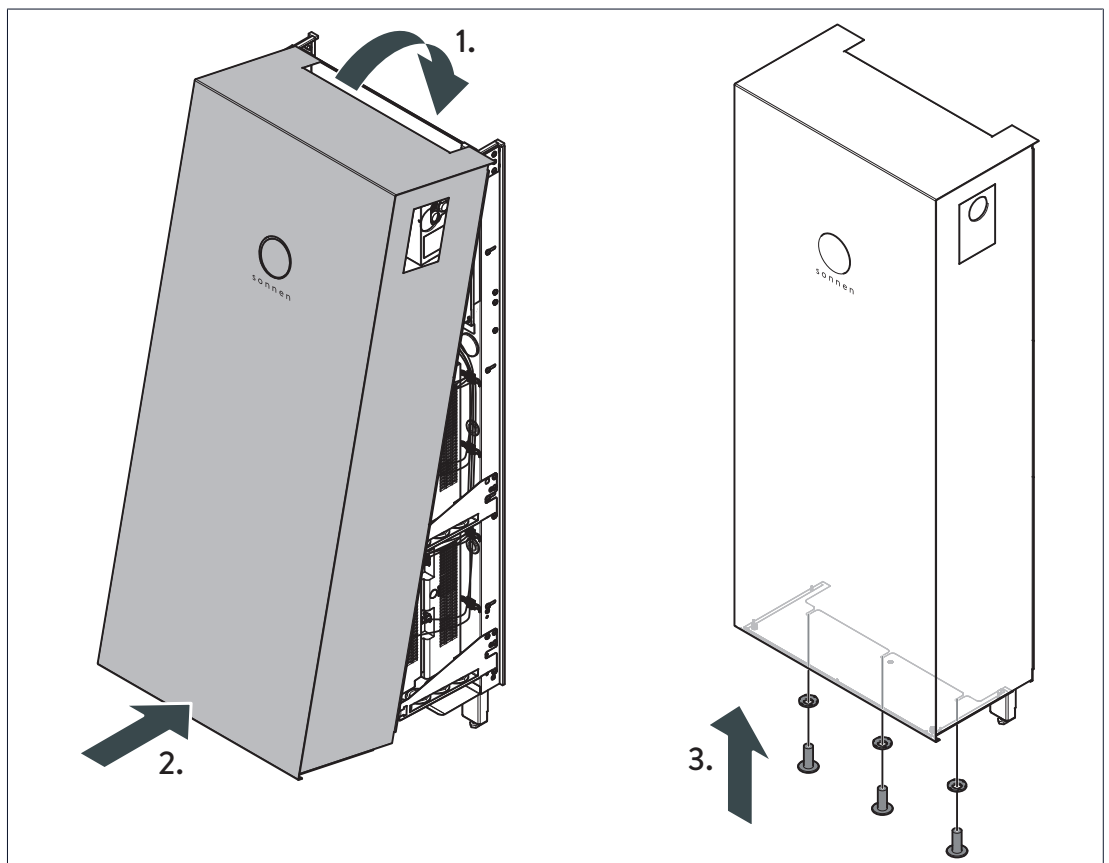
i The energy capacity marked on the type plate always refers to the total energy installed in the storage system and extension cabinet, if any.

The possible battery capacities with the associated nominal power values can be found in section Technical data [P. 99].

- ▶ Mark the installed battery capacity on the type plate, which is affixed to the switch panel of the storage system.

10.2 Attaching and earthing the cover

- The earth connection between the cover and mounting frame is established via the screw connection.
- The inspection window and sonnen Eclipse have protective film on the inside and outside.
- ▶ Remove all protective film before mounting the cover.



- ▶ Tilt the cover forward when lifting it, so it can be hung on the mounting frame.
- ▶ Centre and then hang the cover on the mounting frame. **WARNING! Do not kink or crush any cables between the cover and the mounting frame.**
- ▶ Use three screws with contact discs from the installation equipment pack to secure and earth the cover.

- ▶ Tighten the screws with a torque of **8 Nm**.

10.3 Attaching the switch cover



The specified degree of protection for the storage system and therefore touch protection and protection against the ingress of foreign bodies is only achieved when the switch cover of the storage system is mounted.

- ▶ Mount the switch cover from the accessory kit onto the inspection window on the cover.

10.4 Checking the installation

- ▶ Use the following criteria to check whether the installation has been performed correctly and is complete.
 - ▶ Only commission the storage system for the first time after first ensuring that the criteria have been successfully met.
1. **Component earthing:**
 - The feet are secured to the mounting frame using contact discs. All screws have been tightened with the correct torque.
 - The individual components are mounted correctly on the mounting frame. All screws have been tightened with the correct torque.
 2. **Line routing:**
 - All of the lines going into the storage system have been routed through the appropriate cable entry points.
 - All other openings have been sealed with the corresponding dummy plugs.
 3. **Cover mounting:**
 - The cover is form-fitted to the mounting frame.
 - The earth connection for the cover has been correctly established using screws and contact discs.
 - The switch cover has been correctly attached to the inspection window.
 4. **Electrical connections:**
 - The mains line is properly connected and the necessary safety devices (miniature circuit breaker and residual current device) are installed. The components are connected in such a way that a clockwise phase sequence is achieved.
 - The battery lines and communication lines for the battery modules are connected correctly.
 - The connection to the power meter and the connection to the internet have been correctly established. The electrical connection of the power meter is protected with a miniature circuit breaker according to specifications.
 5. **Completed type plate:**
 - The required information is marked on the type plate.
 6. **sonnenProtect 8000 installation (optional):**
 - The sonnenProtect is mounted in a suitable installation location.
 - All lines are completely and correctly connected.
 - The safety devices required for the selected connection option (miniature circuit breakers and residual current devices) are installed.
 - The electrical lines meet the requirements of all local and national guidelines for line dimensions.

- The additional earth connection between the storage system and the main earthing terminal is in place and has a cross-section of 10 mm² (CU cross-section or equivalent).
-

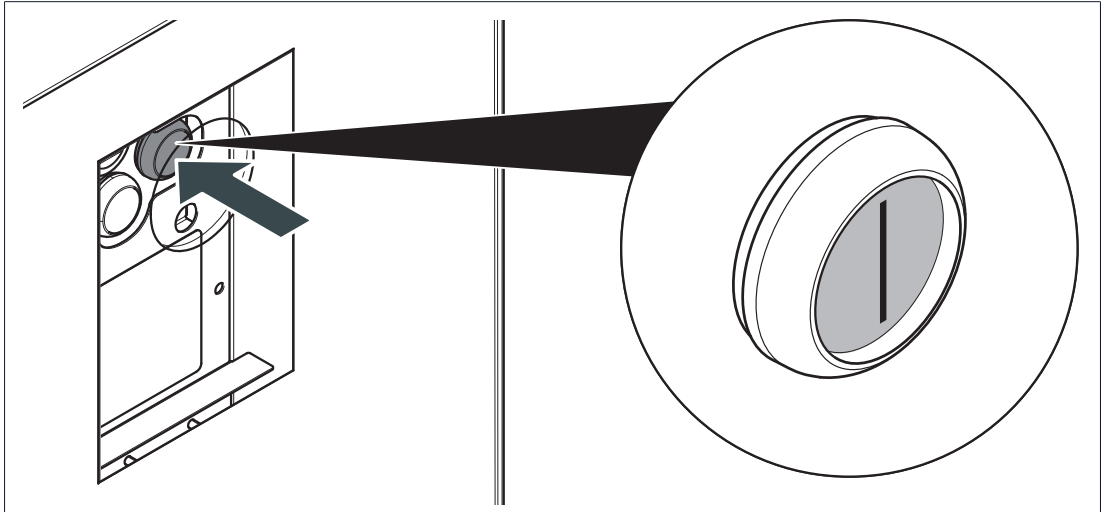
Table 7: Installation checklist

11 Commissioning

11.1 Switching the storage system on

i The storage system can only be switched on if the public grid voltage has been switched on first.

1. Switch on the grid voltage using the miniature circuit breaker for the mains line.
2. Remove the switch cover on the inspection window of the switch panel.



3. Press the ON/OFF switch so it clicks into the **ON (I)** position.
4. Reattach the switch cover to the inspection window.

The storage system then starts and runs a self-test. Once the self-test is successful, the storage system is ready to operate.

When the storage system is in normal operation, the sonnen Eclipse pulses white. The other operating statuses and the associated indications of the sonnen Eclipse are described in section Troubleshooting [P. 96].

11.2 Carrying out first-time commissioning

First-time commissioning must be carried out when the storage system has been installed, set up and connected for the first time.

11.2.1 Commissioning assistant

i The storage system is only ready for operation if the commissioning assistant is fully completed.

Conditions:

- ✓ Storage system installation is complete.
- ✓ The storage system is switched on (see Switching the storage system on [P. 90]).
- ▶ The commissioning assistant is used to set up the storage system, whereby the following data is recorded and settings configured:
 - Check the installed software version and update if necessary.
 - Record the operator's customer information.
 - Configure the notifications.

- Select the country code for the inverter.
- Provide details on the PV system.
- Select the power measurement concept and configure power measurement.
- Select and configure Features (use of digital inputs and outputs, activation of sonnenProtect, etc.).
- Perform a system test.
- Confirmation of the information by the installing electrician and the operator. Subsequent sending of a confirmation to the operator by e-mail.

11.2.1.1 Establishing connection to the storage system

- ▶ Connect your laptop/PC to the router of the home network to which the storage system is also connected.

11.2.1.2 Running the commissioning assistant

- ▶ Navigate to the following internet address: <https://find-my.sonnen-batterie.com>

The following window appears:



- ▶ Select the storage system to be configured and click on the **Configure Assistent** button.
- ▶ Log in as the **Installer**.

Use the initial password the first time you log in. This password can be found on the type plate of the storage system.

- ▶ Assign an individual password for the storage system after you have logged in successfully using the initial password.



Contact the sonnen service team if you have forgotten the individually assigned password or need to reset the password for another reason.

- ▶ Run the commissioning assistant until it is fully completed.

If the storage system is not displayed:

- ▶ Follow the instructions in section Troubleshooting [P. 96].

11.2.2 Completing the commissioning report (if there is no internet connection)



The paper form of the commissioning report is only necessary in certain cases.

- ▶ Only carry out the following steps if the commissioning assistant displays a corresponding message.

- ▶ Complete the commissioning report in the appendix of this document in full.
- ▶ Give a copy of the completed commissioning report to the operator.
- ▶ Send the completed commissioning report to the following email address within five working days: **service@sonnen.de**

12 Decommissioning

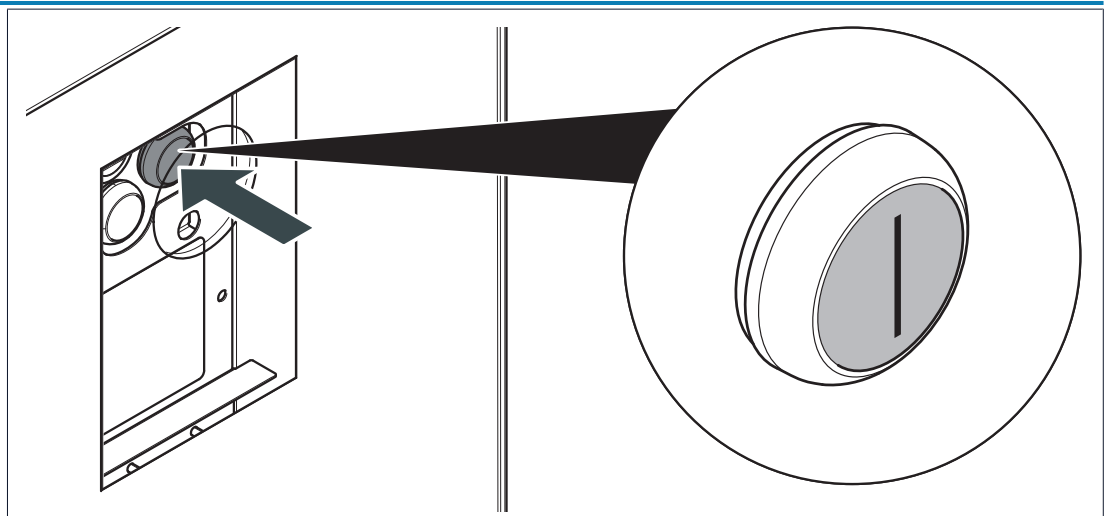
12.1 Switching the storage system off

NOTICE

Deep-discharge of the battery modules

Destruction of the battery modules!

- ▶ Do not disconnect the storage system from the public electricity grid for long periods of time (see Storing the battery modules [P. 12]).
- ▶ Never continue to operate battery modules which have been deep-discharged.



1. Remove the switch cover on the inspection window of the switch panel.
2. Press the ON/OFF switch. The sonnen Eclipse switches off.
3. Switch off the grid voltage using the miniature circuit breaker for the mains line.
4. Reattach the switch cover to the inspection window.

The storage system must be disconnected from the power [P. 94] before any work is carried out!

12.2 Switching the storage system off to electrically isolate it

DANGER

High battery voltage (> 200 V)

Danger to life due to electrocution!

When battery lines are connected, the central unit always carries the voltage of the battery modules, even if the storage system and mains voltage are switched off.

To disconnect the battery voltage from the central unit:

- ▶ Unplug the battery lines from **all** battery modules.

Before **working on the storage system** it must be completely switched off to be electrically isolated.

1. Remove the switch cover on the inspection window of the switch panel.
2. Press the ON/OFF switch. The sonnen Eclipse switches off.
3. Reattach the switch cover to the inspection window.
4. Switch off the grid voltage using the miniature circuit breaker for the mains line.
5. Take steps to ensure that these switches cannot be switched on again.
6. Wait at least five minutes until the internally stored energy in the inverter has fully discharged.

DANGER! If a sonnenProtect is installed, this must be switched off separately. Please note section Decommissioning the sonnenProtect [P. 78] in this case.

13 Uninstallation and disposal

13.1 Uninstallation

⚠ DANGER

Improper uninstallation of the storage system

Danger to life due to electrocution!

- ▶ The storage system must only be uninstalled by authorised electricians.

⚠ DANGER

Improper uninstallation of the sonnenProtect

Danger to life due to electrocution!

- ▶ The sonnenProtect must only be uninstalled by authorised electricians.

13.2 Disposal

⚠ CAUTION

Improper transport of battery modules

Fire outbreak at battery modules or emission of toxic substances!

- ▶ Only transport battery modules in packaging that meets applicable regulations.
- ▶ Never transport damaged battery modules.

The storage system, the batteries it contains and the sonnenProtect **must not** be disposed of as domestic waste!

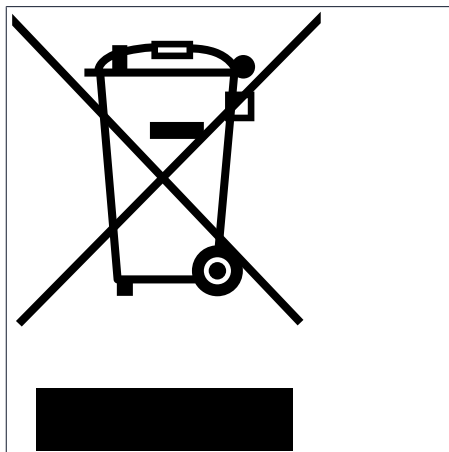


Illustration 26: WEEE symbol

- ▶ Dispose of the storage system, the batteries it contains and the sonnenProtect in an environmentally friendly way through suitable collection systems.
- ▶ Contact sonnen GmbH to dispose of old batteries.

In accordance with the German Battery Act (BattG 2009), sonnen GmbH will accept old batteries free of charge. Please note that the cost of transporting old batteries is not covered.

14 Troubleshooting

14.1 sonnenBatterie 10 performance

Fault	Possible cause(s)	Solution
The sonnen Eclipse of the storage system pulses white.	The storage system is in normal operation.	No troubleshooting necessary.
The sonnen Eclipse of the storage system pulses continuously green or pulses green and turns off after about 5 minutes.	The storage system is not connected to the public electricity grid.	<ul style="list-style-type: none"> ▶ Check that the circuit breaker in the supply line of the storage system is switched on. <p>If so:</p> <p>The public electricity grid does not provide any electrical energy (grid outage).</p> <ul style="list-style-type: none"> ▶ It can only be waited until the public electricity grid supplies energy again. Thereafter, the storage systems resumes normal operation.
	Storage system with backup power function only ⁸ : The storage system is not connected to the public electricity grid and is in backup operation.	No troubleshooting necessary.
The sonnen Eclipse of the storage system pulses orange.	The internet connection to the storage system has been interrupted.	<ul style="list-style-type: none"> ▶ Check whether the home network router is able to establish an internet connection. <p>If so:</p> <ul style="list-style-type: none"> ▶ Ensure that the network line for the storage system is connected to the home network router.
The sonnen Eclipse of the storage system lights up red.	There is no clockwise phase sequence on the storage system.	<ul style="list-style-type: none"> ▶ Check whether there is a clockwise phase sequence on the AC connection (mains line) of the storage system. <p>If there is no clockwise phase sequence on the connection:</p> <ul style="list-style-type: none"> ▶ Correct the electrical connection of the mains line for the storage system.
	The storage system has detected a problem that is preventing normal operation or may cause damage to the storage system.	<ul style="list-style-type: none"> ▶ Check the connection of the storage system and the battery modules in line with the installation instructions. ▶ Ensure that the correct temperature conditions are observed at the installation location. The battery modules cannot be operated in temperatures that are too cold. <p>If none of the specified errors apply:</p> <ul style="list-style-type: none"> ▶ Contact the Sonnen service team to get help resolving the problem.

⁸ Optional accessories sonnenProtect.

No connection to the web interface of the storage system (<https://find-my.sonnen-batterie.com>) or to the internet portal (my.sonnen.de).

No connection between the storage system and the server.

- ▶ Make sure that the Ethernet line between the storage system and the Router of the home network is correctly connected.
- ▶ Make sure that the Router of the home network allows connections on the following ports:

TCP ports: 443 (https); 18883 (MQTT-TLS)

UDP ports: 123 (NTP); 1196 (VPN)

14.2 sonnenProtect 8000 (optional)

Fault	Possible cause(s)	Solution
Grid operation (no grid outage)		
The electrical consumers are not supplied with energy in grid operation.	The lines have not been correctly connected.	▶ Check the electrical wiring of the backup circuit.
	The <i>miniature circuit breaker (MCB)</i> in the supply line to the sonnenProtect is switched off.	▶ Switch on the <i>miniature circuit breaker (MCB)</i> .
	The <i>residual current device (RCD)</i> or another circuit breaker is switched off.	▶ Switch on all circuit breakers.
	The <i>residual current device (RCD)</i> or another circuit breaker has tripped.	▶ Check the electrical wiring and the connected electrical consumers for faults. ▶ Switch on the affected circuit breaker once any faults are corrected.
Backup operation (grid outage) – backup operation does not start		
Backup operation does not start. The Eclipse on the storage system pulses green and goes off after several minutes. The illuminated switch on the sonnenProtect does not light up .	No backup buffer is set. The batteries of the storage system have discharged so much that further discharging would lead to a deep discharge state and therefore damage the batteries. With AC Microgrid: The PV system produces no or insufficient electrical energy to start the backup operation.	When the grid outage is over and the public electricity grid once again begins supplying electrical energy, the sonnenProtect automatically switches to grid operation. With AC Microgrid: If the PV system produces sufficient electrical energy at one of the defined reenabling times and the grid outage continues, the backup operation starts again.
	The storage system is switched off.	▶ Switch on the storage system.
Backup operation does not start. The Eclipse on the storage system pulses green . The illuminated switch on the sonnenProtect does not light up .	The <i>residual current device (RCD)</i> or another circuit breaker is switched off.	▶ Switch on all circuit breakers.
	The <i>residual current device (RCD)</i> or another circuit breaker has tripped.	▶ Check the electrical wiring and the connected electrical consumers for faults. ▶ Switch on the affected circuit breaker once any faults are corrected.

Backup operation does not start. The Eclipse on the storage system pulses **orange**. The illuminated switch on the sonnenProtect **lights up**.

Electrical consumers with too high of a power consumption are connected to the circuit.

- ▶ Switch off electrical consumers or reduce their power consumption.
 - ▶ Press the illuminated switch on the sonnenProtect for approx. 2 seconds. Backup operation re-starts.
-
- ▶ Only connect electrical consumers when they have a power consumption that does not exceed the maximum power (see Technical data [P. 99]).

Backup operation (grid outage) – backup operation stops

Backup operation stops. The *miniature circuit breaker (MCB)* in the supply line to the sonnenProtect and the circuit breakers in the circuit have not tripped. The Eclipse on the storage system pulses **green** and goes **off** after several minutes. The illuminated switch on the sonnenProtect **does not light up**.

The backup buffer of the storage system batteries is depleted. The batteries have discharged so much that further discharging would lead to a deep discharge state and therefore damage the batteries

With AC Microgrid: The PV production of the PV system has stopped or has decreased to such an extent that there is not enough electrical energy available for backup operation.

When the grid outage is over and the public electricity grid once again begins supplying electrical energy, the sonnenProtect automatically switches to grid operation.

With AC Microgrid: If the PV system produces sufficient electrical energy at one of the defined reenabling times and the grid outage continues, the backup operation starts again.

Backup operation stops. The *miniature circuit breaker (MCB)* in the supply line to the sonnenProtect or a circuit breaker in the circuit has switched off. The Eclipse on the storage system pulses **green**. The illuminated switch on the sonnenProtect **does not light up**.

The *residual current device (RCD)* or another circuit breaker has tripped.

- ▶ Check the electrical wiring and the connected electrical consumers for faults.
- ▶ Switch on the circuit breaker once any faults are corrected.

Backup operation stops. The *miniature circuit breaker (MCB)* in the supply line to the sonnenProtect and the circuit breakers in the backup circuit have not tripped. The Eclipse on the storage system pulses **orange**. The illuminated switch on the sonnenProtect **lights up**.

Electrical consumers with too high of a power consumption are connected to the backup circuit.

- ▶ Switch off electrical consumers in the backup circuit or reduce their power consumption.
 - ▶ Press the illuminated switch on the sonnenProtect for approx. 2 seconds. Backup operation re-starts.
-
- ▶ Only connect electrical consumers to the backup circuit when they have a power consumption that does not exceed the maximum power (see Technical data [P. 99]).

15 Technical data

15.1 sonnenBatterie 10 performance

System data (AC)	sonnenBatterie 10 performance					
General	Nominal voltage	400 V				
	Nominal frequency	50 Hz				
	Nominal power ⁹	8,000 W				
	Nominal current	11.6 A				
	Power factor range	0.9 capacitive ... 0.9 inductive				
	Current (Max. continuous)	11,6 A				
	Max. output fault current	120 mA				
	Inrush current	3 A				
	Mains connection	three-phase, L1 / L2 / L3 / N / PE				
	Max. ext. overcurrent protection	16 A, 3ph				
	Mains topology	TN / TT				
	Mains connection fuse	Miniature circuit breaker Type B 16 A				
	Depends on capacity¹⁰	sonnenBatterie	10p/11	10p/22	10p/33	10p/44
Number of battery modules		2	4	6	8	10
Nominal capacity		11 kWh	22 kWh	33 kWh	44 kWh	55 kWh
Usable capacity		10 kWh	20 kWh	30 kWh	40 kWh	50 kWh
Charging/discharging power ¹¹		7,000 W	8,000 W	8,000 W	8,000 W	8,000 W
Charging/discharging power		10.1 A	11.6 A	11.6 A	11.6 A	11.6 A
Battery data (DC)	Cell technology	lithium iron phosphate (LiFePO4)				
	Nominal voltage	102.4 V				
	Working voltage	204.8 V				
	Current (Max. continuous)	40 A				
	Short-circuit current (I_{sc})	80 A				
	Min. number of battery modules	2				
	Max. number of battery modules	10				
Safety	Protection class	I / PE conductor				
	Required fault current monitoring	In TT networks: Residual current device (RCD) with a rated differential current of max. 300 mA; requirements on site must be observed.				
	Degree of Protection	IP30				
	Overvoltage category	2				
	Rated short-withstand current	10 kA				
	Separation principle	no galvanic isolation, transformer-less				

⁹ at cos phi = 1

¹⁰ from 33 kWh: storage system with extension

¹¹ at cos phi = 1

	Fulfilled standards and directives	EMC Directive 2014/30/EU; IEC 61000-6-1; IEC 61000-6-3; IEC 62040-1; IEC 62109-1; IEC 62109-2; IEC 62281; IEC 62619; Low Voltage Directive 2014/35/EU; OVE Directive R20; ÖVE/ÖNORM E 8001-4-712; TOR Erzeuger; UN 38.3; VDE-AR-E 2510-2; VDE-AR-N 2510-50; VDE-AR-N 4105				
Power measurement	Voltage measurement inputs	Nominal voltage (AC): 230 V (L-N), 400 V (L-L) max. connectible conductor cross-section: 1.5 mm ²				
	Clamp-on current transformer	Max. measurable current: 60 A (standard), optional up to 400 A				
Dimensions/weight¹²	sonnenBatterie	10p/11	10p/22	10p/33	10p/44	10p/55
	Dimensions (H/W/D) in cm	172-184/69/36			2 x 172-184/69/36	
	Height without feet in cm	161				
	Total weight in kg	165	245	375	455	535
	Ambient conditions	Environment	Indoor (conditional)			
	Operating temperature range ¹³	-5 °C ... 45 °C				
	Storage temperature range	0 °C ... 40 °C				
	Transport temperature range	-15 °C ... 50 °C				
	Max. rel. humidity	90%, non-condensing				
	Permissible installation altitude	2,000 m above sea level				
	Pollution degree	2				
Requirements for the installation location	<ul style="list-style-type: none"> • No direct sunlight. • No danger due to flooding. • No corrosive and explosive gases. The maximum permissible ammonia content is 20 ppm. • No dust, especially flour dust or sawdust. • No vibrations. • Ventilation possible. • Easy access. • Floor is suitable for heavy loads. • Observe all fire safety guidelines and regulations. • Observe applicable local building codes. • Smoke detectors must be installed both at the installation location and in bedrooms. 					

¹² From 33 kWh: storage system with extension

¹³ Optimal: 5 °C ... 30 °C | Derating possible below 5 °C / above 30 °C.

15.2 sonnenProtect 8000 (optional)

System data (AC)	sonnenProtect 8000	
	with sonnenBatterie	10p/11
Nominal power	5,000 W	8,000 W
Max. possible generator output in standalone operation (AC microgrid)	7,000 W	8,000 W
Nominal frequency	50 Hz	
Output voltage	400 VAC +/- 10 %	
Max. output current	7.2 A / 10.8 A	11.6 A / 20.2 A
Overload (5 min.)	5.5 kW, 7.9 A	8.8 kW, 12.7 A
Overload (30 s)	6 kW, 8.7 A	9.6 kW, 13.9 A
Overload (2 s)	7 kW, 10.1 A	12 kW, 17.3 A
Overload (100 ms)	7.5 kW, 10.8 A	14 kW, 20.2 A
Power factor range	0 capacitive ... 0 inductive	
Short-circuit current	50 A	
Network configuration in emergency operation	TN	
Mains connection	three-phase, L1 / L2 / L3 / N / PE	
Mains connection fuse	Miniature circuit breaker 35 A max.	
Operating concept	Three-phase backup power supply to on-site connection (up to 35 A) or separate backup circuits.	
Switchover time	approx. 10 seconds	
Threshold power	none (starting from 0 W)	
Dimensions/weight	Dimension (H/W/D) in cm	66/29/14
	Weight in kg	approx. 10
Safety/protective devices	Protection class	II
	Degree of Protection	IP65
	Overvoltage category	2
	Required fault current monitoring	Residual current device (RCD) with a rated differential current of max. 300 mA; requirements on site must be observed.
Ambient conditions	Environment	Indoor/Outdoor
	Pollution degree	3
	Operating temperature range	-5 °C ... 50 °C
	Max. rel. humidity	100%, condensing
	Permissible installation altitude	2,000 m above sea level
	Additional ambient conditions	The ambient conditions prescribed for the storage system apply.

Commissioning report



Important: The commissioning report must only be filled in and sent out if the **commissioning assistant** shows a corresponding message while initial commissioning!

If so: Please send the filled in report to the following email address within 5 working days of successful commissioning: **service@sonnen.de**

Commissioning details

Storage system serial number

Date of commissioning

Operator details

Surname, first name

Street

Post code, town

Telephone

Email address

Storage system location (only required if different from the address above)

Street

Post code, town

Capacity of the storage system

_____ kWh

Details on PV system

Nominal power: _____ kWp

Special notes / points to be addressed

Electrician's declaration

I confirm that my details are correct.

The storage system was installed and commissioned by me in the proper manner. I followed the installation instructions in doing so.

Place, date

Electrician's signature

Operator's declaration

I confirm that my details are correct.

I received the warranty conditions.

Place, date

Operator's signature

Specialist company details

Company

Street

Post code, town

Telephone

Email address

Details on electrician carrying out the work

Name

Company

Certification number

Details on network topology (mark off the applicable network)

TT | TN-S | TN-C-S

TN-C (classic earthing)

Glossary

AC

Alternating current

ADR

Accord européen relatif au transport international des marchandises Dangereuses par Route [fr] – European Agreement concerning the International Carriage of Dangerous Goods by Road

BMS

Battery management system

CA

Commissioning assistant

CHP

Combined heat and power station

CT

Clamp-on current transformers

CT

Clamp-on current transformers. These are connected to the transformer interface of the power meter and are clamped over the electrical line in question.

DC

Direct current

DI

Digital Input

DNO

Distribution network operator

DO

Digital Output

DOD

Depth of Discharge

ESD

Electrostatic discharge

EVU

Energieversorgungsunternehmen [de] - energy supply company

GND

Ground

Grid and system protection

Protective measures for ensuring the safety of the grid and systems installed

IP

International Protection – degree of protection using to classify systems in terms of their suitability for different ambient environments

LED

light-emitting diode

MCB

Miniature circuit breaker. Overcurrent safety device that protects the lines from damage caused by overheating as a result of excessive current.

MW

Module width. A unit of measurement used to describe the width of components in the electrical installation. One module width is equal to 18 mm.

PV

Photovoltaics

PV reduction

Reduction of the power output by the PV system through communication with the inverter

RCD

Residual current device

RS

Rapid shutdown

SELV

Safety extra low voltage

SMCB

Selective miniature circuit breaker or main miniature circuit breaker. This special circuit breaker meets selectivity requirements for upstream and downstream overcurrent protective devices and is used upstream of the electricity meter.

SOC

State of Charge

Technical connection conditions

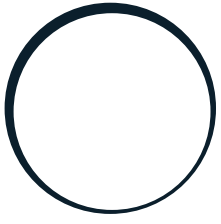
The technical connection conditions govern the connection to the electricity grid of the distribution network operators in Germany.

USB

Universal Serial Bus

VPN

Virtual Private Network



sonnen

energy is yours